

SOSS[®] Hinge

Installation Manual

Table of Contents

SOSS Hinge

Introduction	Page 2
Step 1 – Tools Required	Page 3
Step 2 – Procedure	Page 3 - 7

PROCEDURE FOR INSTALLING SOSS INVISIBLE HINGE

Purpose

To properly document the correct methods and processes required for the installation of SOSS Invisible Hinge on all hinged steel panels, closures and pocket doors.

Before Beginning Installation

Review drawing and field Conditions

- Make sure you have drawings for fabrication, not approval drawings.
 - Verify opening dimensions against drawings.
 - Make sure existing building walls are properly reinforced for jamb attachments at each end of the opening.
 - Examine pocket and/or stack area for proper clearance and adequate depth.
 - Look for any job site conditions that could interfere with installation or operation of the partition.
-
- **All discrepancies must be corrected before installation can begin**
 - **Read installation instructions completely**
 - **Call the Modernfold Tech Line if you have problems or questions with installation at 1-866-561-8324**
 - **Verify all parts against the packing list**
 - **Locate and lay out all pieces**
 - **Be prepared to verify track level and straightness with laser or other leveling instruments. Finished track installation must be straight and level.**

Step 1: Tools Required

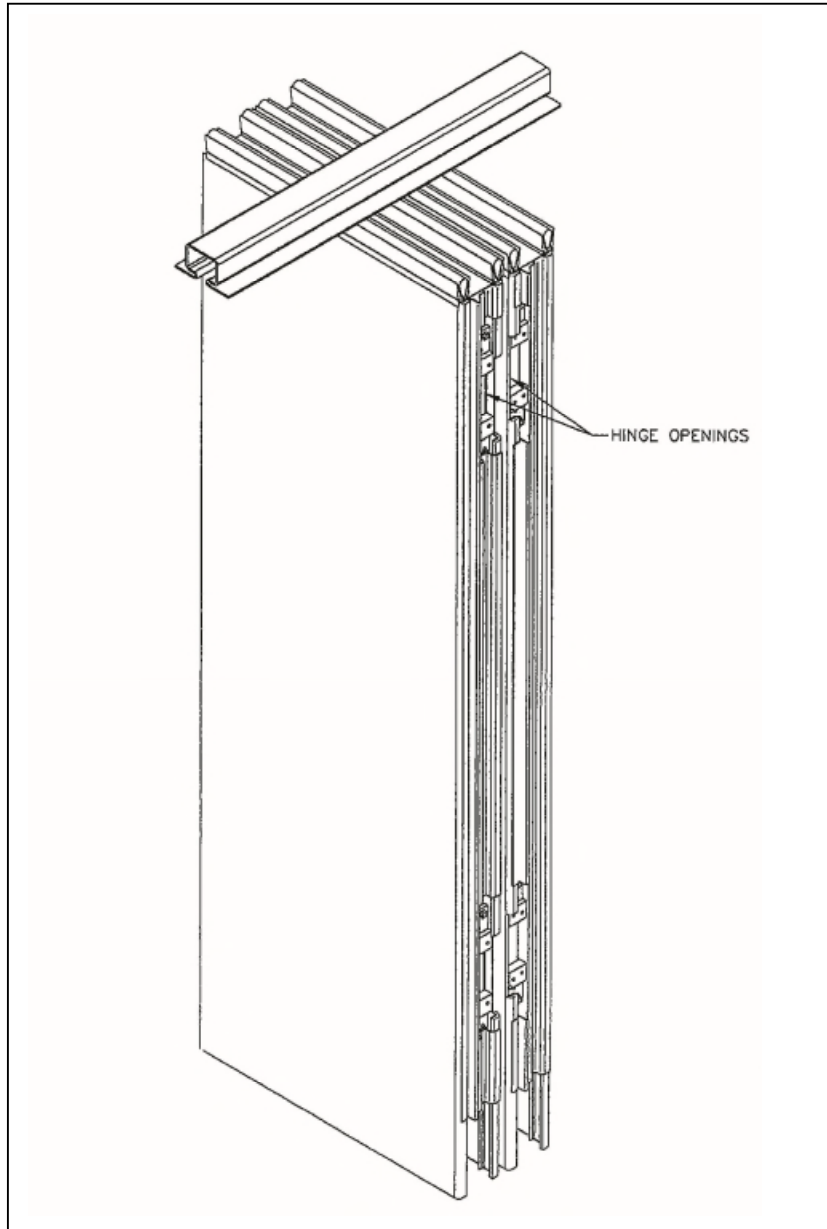
- Equipment Required
- Hex Driver Bit Set (5/16" required)
- Hex Driver Phillips Bit
- #8 Drill Bit

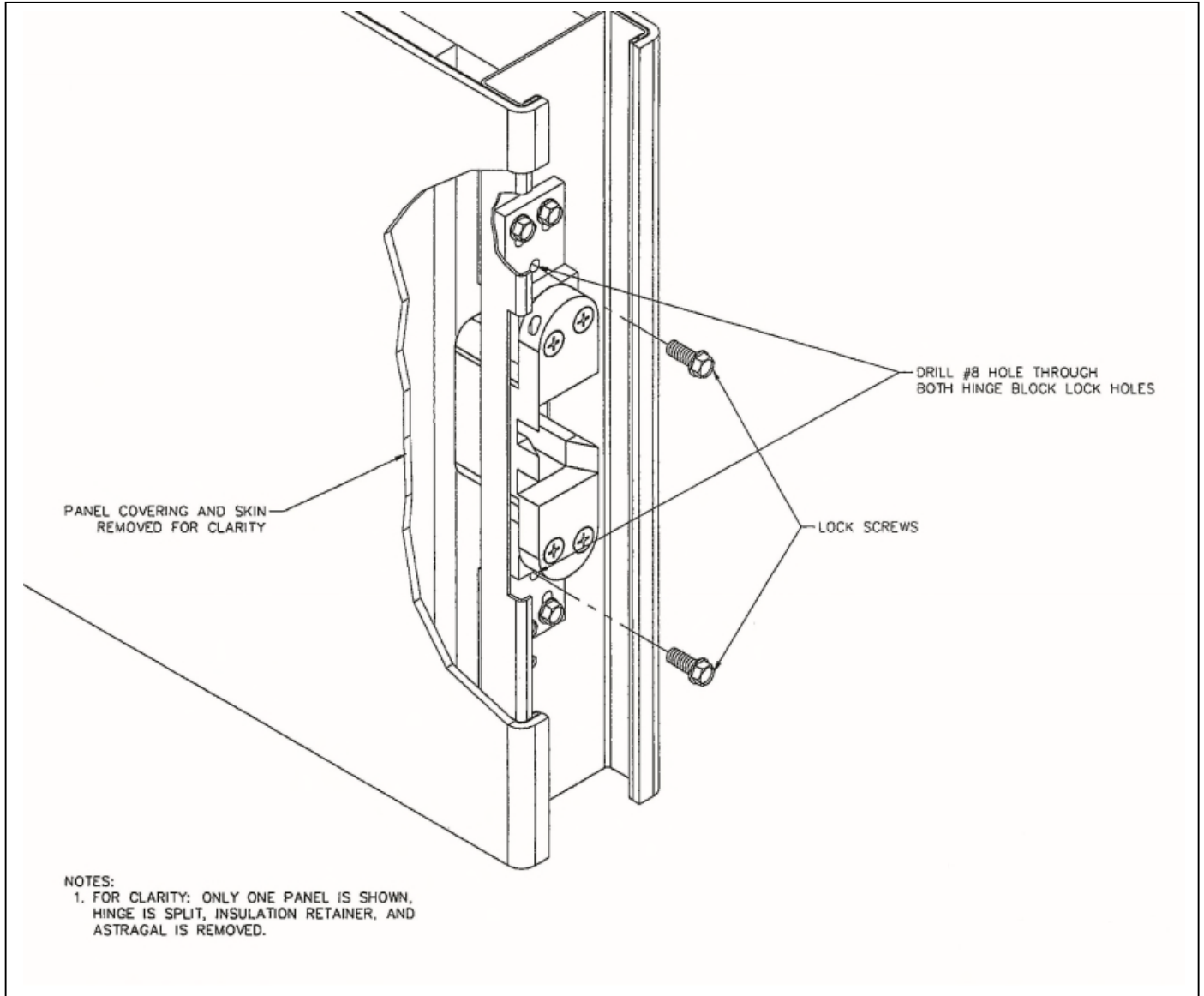
Step 2: Procedure

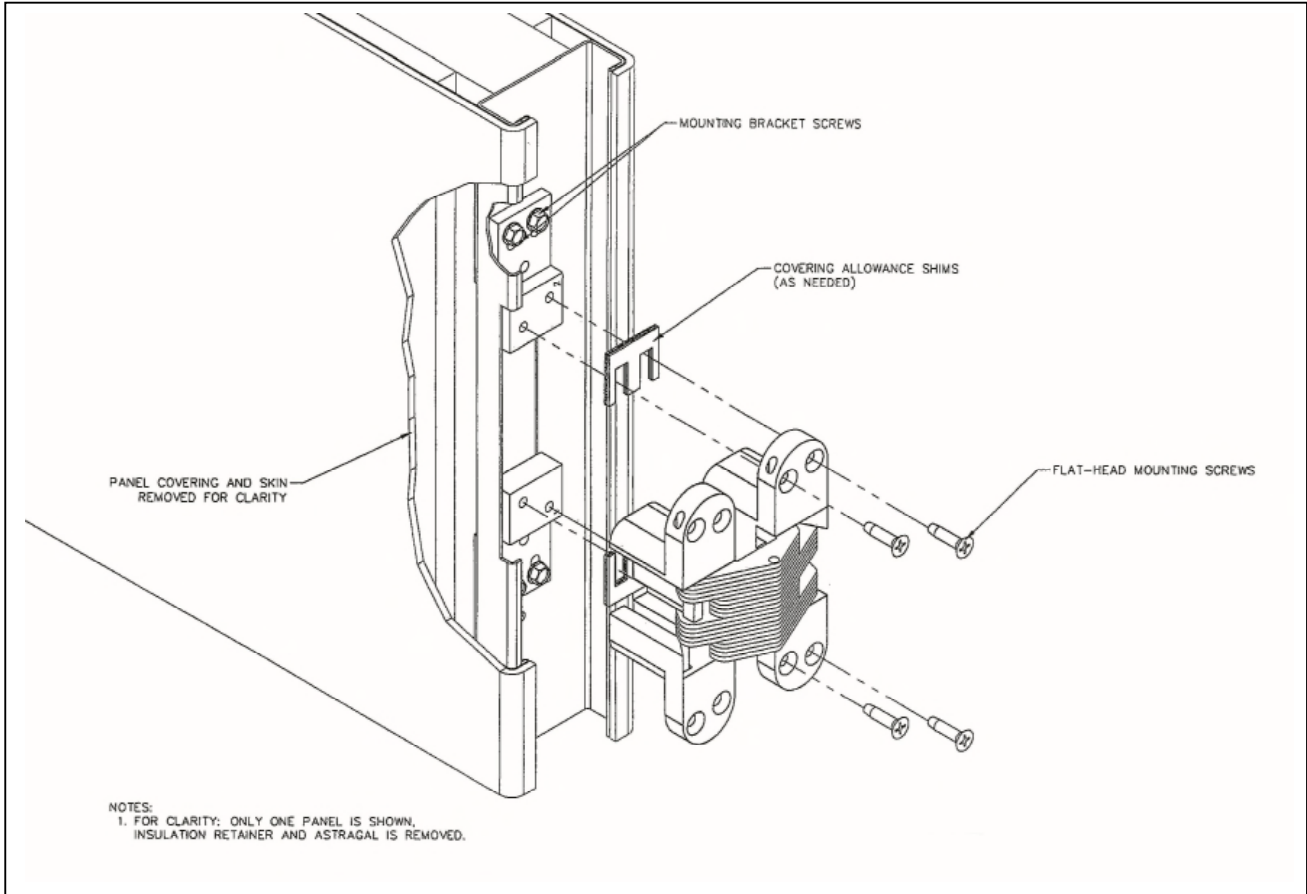
Acousti-Seal SOSS Invisible Hinge Panels

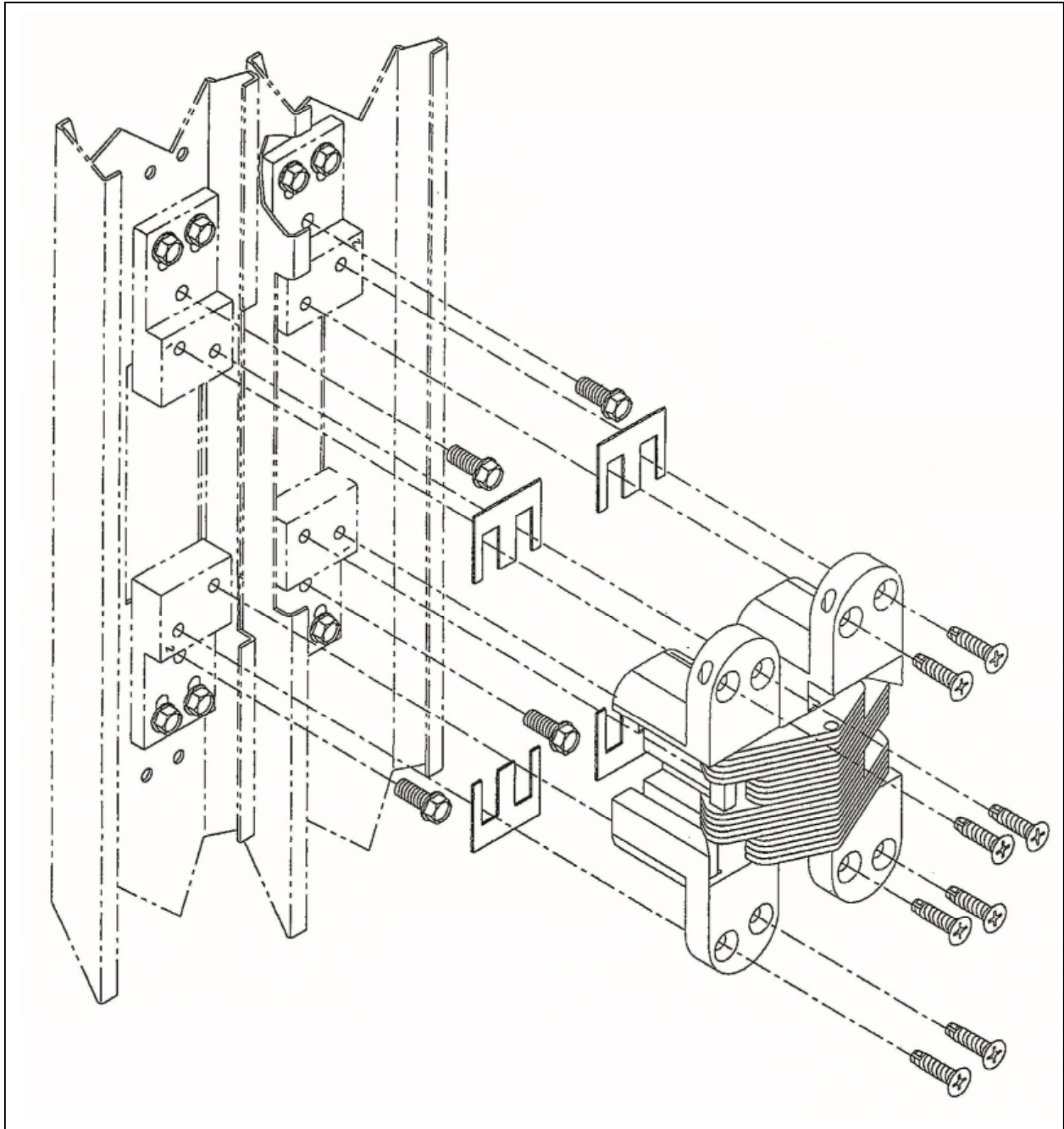
- a) Install panels onto track system and adjust the trolley bolts for proper clearance per installation manual.
- b) Align the first two panels face to face with the hinge openings toward each other.
- c) Open the SOSS Invisible Hinge and starting at the top hinge location, insert the hinge into both panels simultaneous.
- d) If the hinge mounting blocks do not line up with the hinges, use the 5/16" bit to slightly loosen the screws holding the mounting blocks on.
- e) Using the #3 Phillips bit, mount the hinge to the hinge mounting blocks using the eight (8) #12-24 X 1.00" Phillips flat head self-tapping screws.
- f) Check each pair of panels for plumb, both side-to-side and front-to-back. See the installation manual for proper procedure.
- g) Tighten all mounting bracket screws and hinge mounting screws.
- h) Operate the set of panels to see if hinges adjusted properly.
- i) If panels close properly move to step "k" – if not, loosen hinge screws and slide covering allowance shims behind the hinges to alleviate the binding.
- j) Locate the hinge bracket lock hole through the hinge cover access hole.
- k) Locate the hinge bracket lock hole through the hinge cover access hole.
- l) Drill a hole using the #8 drill bit through one lock hole on each hinge mounting bracket.
- m) Install the lock screw into each mounting bracket using the 5/16" bit.

n) Repeat this sequence for each pair of panels.










IDENTIFICATION FOR THE DISTRIBUTOR

This label with the appropriate numbers applied is installed on the top retainer between the sweeps of the panel assembly. It can help you later, if this partition should ever need repairs.

ORDER # _____	LEAD
WALL: _____	→
PANEL # _____	EDGE

IDENTIFICATION FOR THE END USER

This label is installed on the trail edge of the number one panel on your partition.

	FOR SERVICE AND PREVENTATIVE MAINTENANCE CALL 1-888-FX WALLS FOR YOUR AUTHORIZED SERVICE CENTER
	JOB # _____

MODERNFOLD™

215 West New Road
Greenfield, IN 46140

Toll Free: 800.869.9685

email: info@modernfold.com

www.modernfold.com

A DORMA Group Company
www.dorma-usa.com

Form No. 2540

Manufacturer reserves the right to change design or specifications at any time without notice.
Please contact your local Modernfold distributor for further assistance, or visit our website at www.modernfold.com