

# INSTALLATION MANUAL

## ACOUSTI-CLEAR DEMOUNTABLE®



215 WEST NEW ROAD GREENFIELD, IN 46140

## ABOUT YOUR MODERNFOLD PARTITION

Thank you for choosing a Modernfold Operable partition system. As an industry leader in the moveable partition concept, Modernfold delivers the highest-quality, custom partition solutions from start to finish. Our operable partitions and architecturally-striking glass partition systems wow customers and provide them with endless possibilities for their environments. Where others see only space, Modernfold sees possibilities.

Before installing a Modernfold partition, read this manual carefully as it includes safety warnings, a description of the wall's major components, as well as procedures related to the operation of the partition, and a maintenance schedule.

Use of Modernfold Partitions can result in serious injury or death. Be alert to the possibility of pinching or crushing injuries where the panels retract into the stack, where the panels seal off when extending, and at the locations where two panels meet. Hazards at all these locations could result in serious injury to a person who may be struck, trapped or pinched by moving Partitions. Modernfold Partitions should only be operated by adults who have been trained in their safe operation.

For these safety reasons, Modernfold partitions should only be used in conjunction with Modernfold control boxes that have been tested to work as designed by Modernfold. Use of Modernfold partitions with any other control devices will void the warranty and be at your own risk.

# Table of Contents

## Acousti-Clear Demountable®

<b>Warning and Safety Information</b>	Page 3
<b>Introduction</b>	Page 4
<b>Tools Required</b>	Page 5
Common Tools Required for Installation of Acousti-Clear Demountable®	
<b>Step 1 – Ceiling Spline Installation</b>	Page 6 - 7
Beginning the Installation Starting / Finishing Spline Installing Twist Clips	
<b>Step 2 – Fixed Jamb Installation</b>	Page 8
<b>Step 3 – Panel Installation</b>	Page 9 - 12
Panel Design Installing the Panels	
<b>Step 4 – Adjustable Jamb Installation</b>	Page 13 – 15
<b>Glass Installation – Field Installation</b>	Page 16 – 18
<b>Step 5 – Glass Pivot Door Installation</b>	Page 19 – 23
Installing Header Installing Floor Pivot Installing Pivot Posts Installing Pivot Panel	
<b>Step 5 - Maintenance</b>	Page 24
Panel Maintenance Cleaning	
<b>Operation see Owner's Manual 8306</b>	

## Warnings and Safety Information



### WARNING

Operable partitions pose a pinching and/or crushing hazard. To avoid serious injury or death:

- **Do not** operate your operable partition with persons or objects within 4 feet of the operable partition or the partition path, including the stacking area.
  - **Do not** walk or place body parts in front of the partition or into stack area while partition is moving.
  - Ensure no other persons enter the partition path, including the stack area, while wall is moving or being operated.
  - Ensure that both sides of the operable partition, as well as the partition path, are clear of obstructions.
- 
- Operable partitions may be regulated by local, state, or district rules and regulations. All applicable rules and regulations should be reviewed before installation and use.
  - Operators must be above the **age of eighteen (18)** and trained in the safe operation of the partition and understand its safety features.
  - **Do not** place objects between the panels, in the path of the operable partition, in the stack area, or in the near vicinity of the operable partition as this can damage the operable partition when it is in motion.
  - In case of malfunction, **do not** operate the operable partition or attempt to repair it. Contact your authorized local operable dealer for service.
  - **Do not** operate your operable partition if it is making any abnormal noises or if the operable partition does not appear to be working properly. Contact your authorized local operable dealer immediately.
  - **Do not** operate your operable partition if a panel is loose or displaced from its normal securely fastened position.
  - **Do not** operate your operable partition if panels are missing as this can damage the system.
  - Operable partitions are intended only for interior use in which the room is climate controlled.
  - **Do not** force the panels into the stacked position
  - To prevent floor damage, **only** operate partitions over finished floors which are fully cured and clean of debris (See Manufacturer's Recommendations)
  - Track systems are designed to support the weight of the partitions only. **Do not** hang anything from the track or the partitions.

## PROCEDURE FOR INSTALLING Acousti-Clear Demountable®

### Purpose

To properly document the correct methods and processes required for the installation of Acousti-clear Demountable®

### Before Beginning Installation

#### Installation Precautions

- Installation of Modernfold partitions should only be performed by certified trained professionals. Failure to follow this requirement will result in a voided warranty.
- Proper protective equipment should be used on all installations of Modernfold partitions.
- **Do not** alter any track suspension bracketing or hanger rods in any way.

#### Review drawing and field Conditions

- Make sure you have drawings for fabrication, not approval drawings.
  - Verify opening dimensions against drawings.
  - Make sure existing building partitions are properly reinforced for jamb attachments at each end of the opening.
  - Examine pocket and/or stack area for proper clearance and adequate depth.
  - Look for any job site conditions that could interfere with installation or operation of the partition.
  - Verify that control stations are at least four feet from the stacking area or partition path.
- 
- **All discrepancies must be corrected before installation can begin**
  - **Read installation instructions completely before beginning installation**
  - **Call the Modernfold Tech Line if you have problems or questions with installation at 1-866-561-8324**
  - **Verify all parts against the packing list**
  - **Locate and lay out all pieces**
  - **Be prepared to verify track level and straightness with laser or other leveling instruments. Finished track installation must be straight and level.**

#### Introduction:

- Acousti-Clear Demountable is an interior panel wall system with floor supported, self-contained panels which may be easily relocated. These permanent-looking walls are assembled quickly and easily without a permanent track or attachment to existing structure. Each panel is equipped with a top seal which engages a continuous ceiling spline. This minimal contact provides lateral stability to the installed panels. The panel base contains leveling feet, which accommodates uneven floor conditions, and a bottom seal, which provides panel stability.

## Tools Required

---

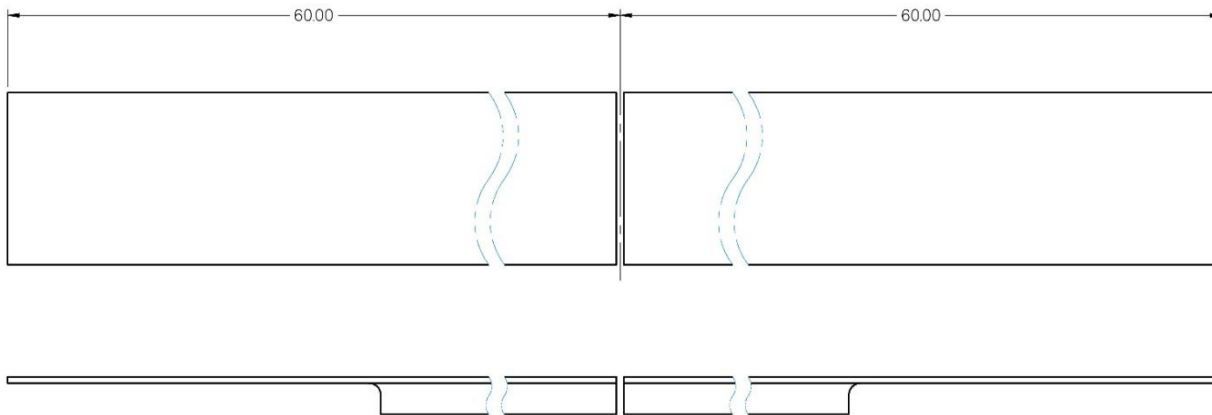
**Assembly requires common tools as hammers, screwdrivers, tape measures, etc and:**

- Heavy Duty Drill
- Drill Bits (include 9/16")
- 4'-0" Level and/or Laser Level
- Torpedo Level(s)
- Cordless Drill & Various Phillips Bits
- Set of Allen Wrenches
- Rubber Mallet
- Petroleum Jelly (to lubricate track)
- Clean cloths
- Paper towels
- Set of Wrenches
- Socket set

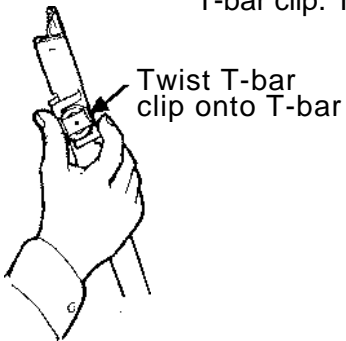
## Step 1- Ceiling Spline Installation

### Beginning the Installation – Ceiling Spline

First locate the starter Ceiling Spline. Mark the C/L at 60" and cut into two pieces. The two halves will be the starting and finishing Ceiling Splines.

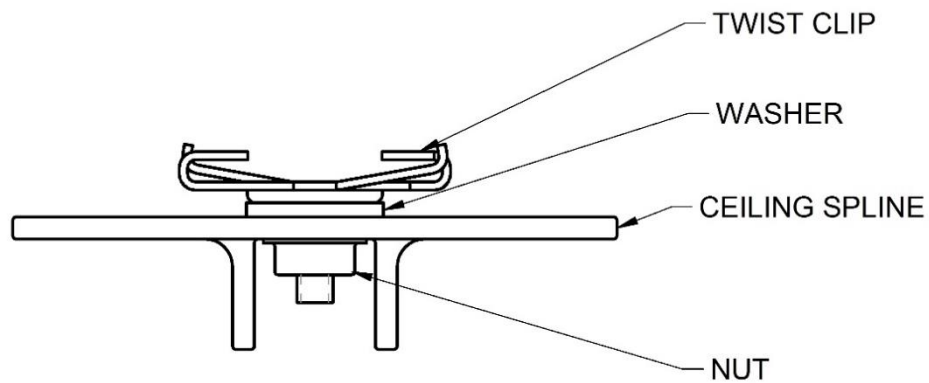
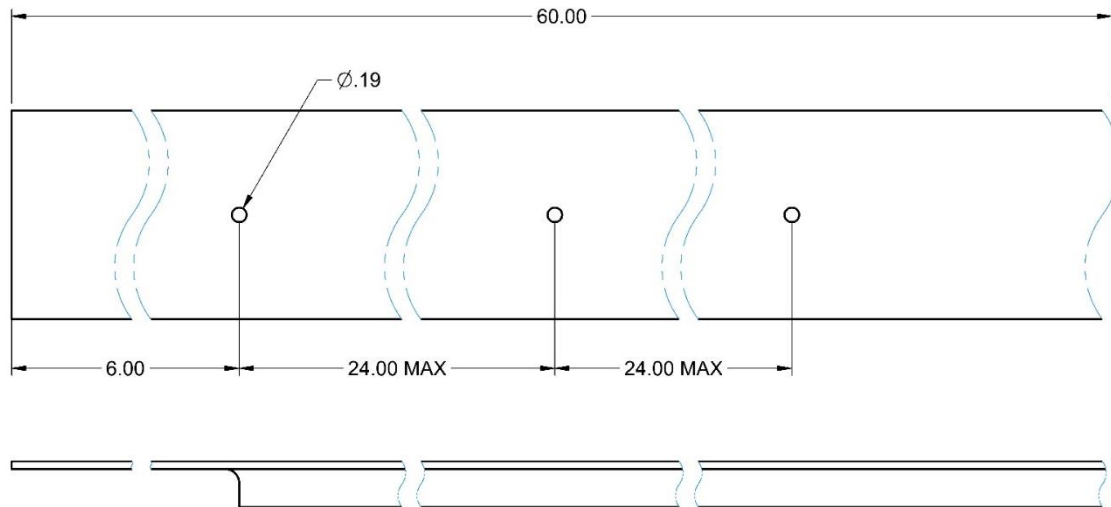


The Ceiling Spline can be direct mounted to a fixed ceiling or attached to a drop ceiling by using T-bar clip. T-bar clips attach onto the T-bar as shown below.



The first T-bar clip should be located 6" from the end of the Ceiling Spline. Under no circumstances should a T-bar clip be further than 24" from the end of the installed Ceiling Spline.

Prior to attaching the Ceiling Spline to the T-bar clip a .194" (#10 Drill Bit) clearance hole for the threaded studs will need to be drilled.



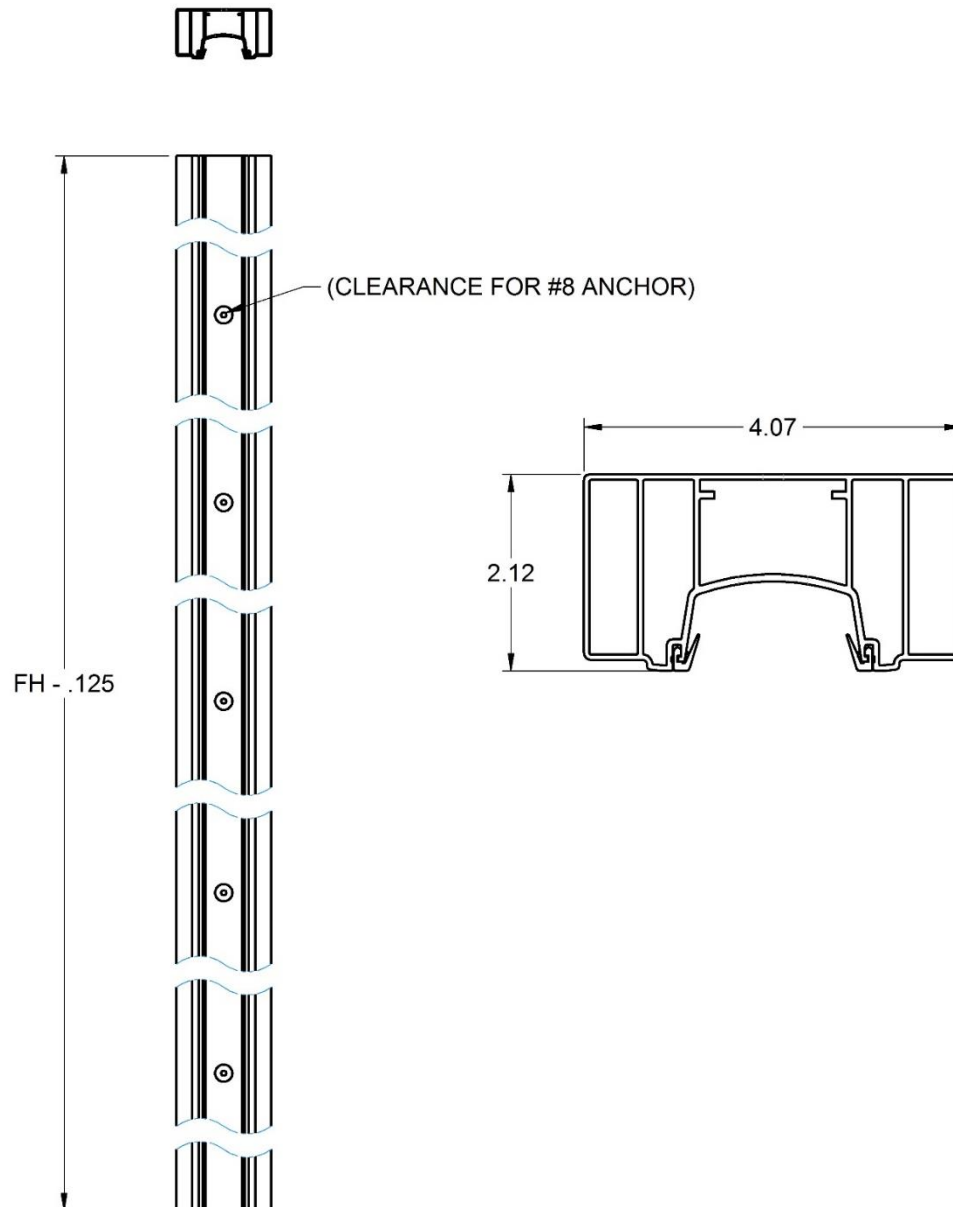
To attach the aluminum Ceiling Spline to the T-bar clip

1. Position the Ceiling Spline under the T-bar clip
2. The supplied washer will bring the surface of the Ceiling Spline even with the Drop Ceiling.
3. Use the supplied nut to tighten the Ceiling Spline against the Drop Ceiling.

Repeat this process for the opposite end Ceiling Spline. The connecting Splines should be installed in lengths as long as possible. If you have locations in which you have used short pieces of spline to connect the end pieces – make sure you have a minimum of two (2) T-bar clips supporting the short sections of spline.

## Step 2- Fixed Jamb Installation

1. Use the center of the Ceiling Spline as a guide to mark the location of the Fixed Jamb
2. Mount the Fixed Jamb with #8 Screws. Clearance Holes for #8 Anchors have been provided. The anchor is by others. Use the same amount of anchors as clearance holes.
3. Note: The top of the Fixed Jamb will fit under the Ceiling Spline.

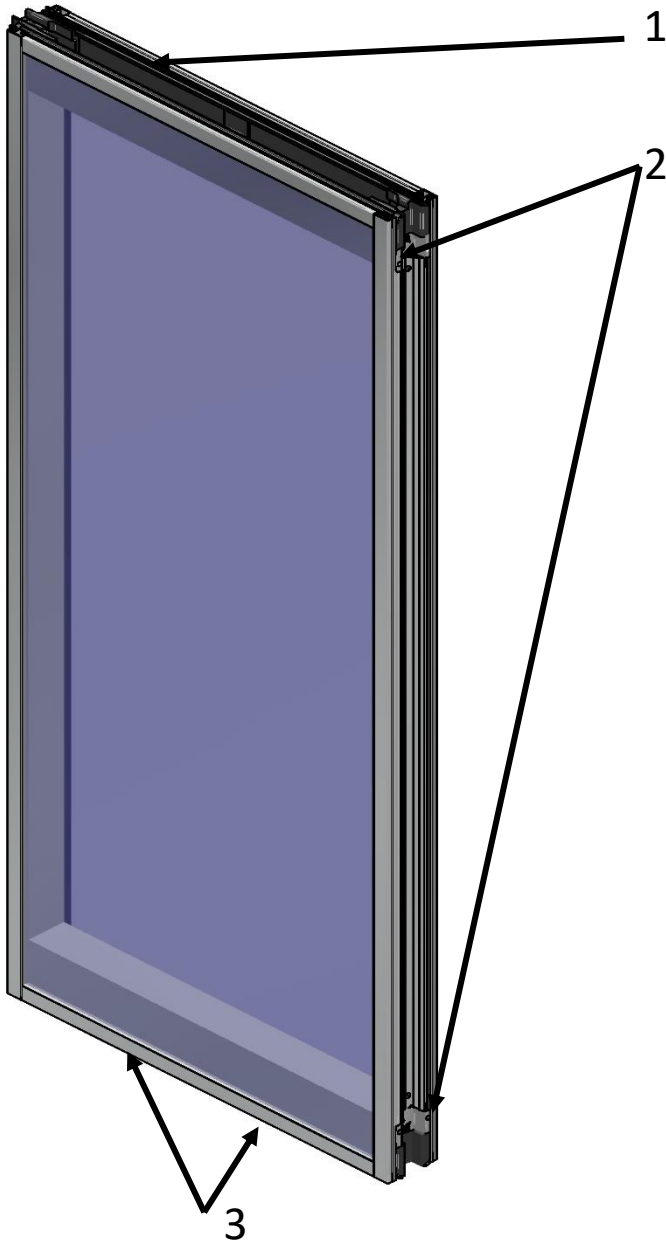


FIXED JAMB

## Step 3- Panel Installation

---

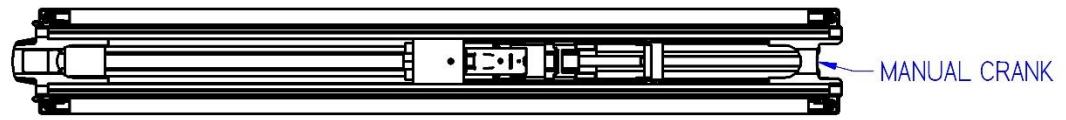
### Panel Design



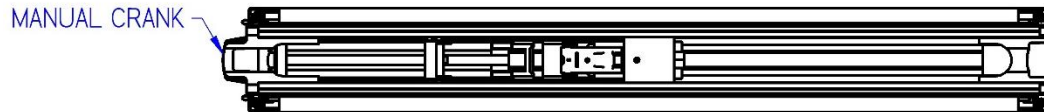
1. Seals
2. Manual Seal Crank Location
3. Levelling Feet

Acousti-Clear Demountable® partition panels are equipped as standard with Manual Crank Actuators for extending and retracting the top and bottom seals.

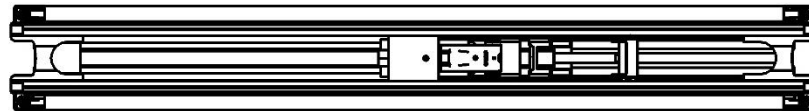
## Panel Design - Continued



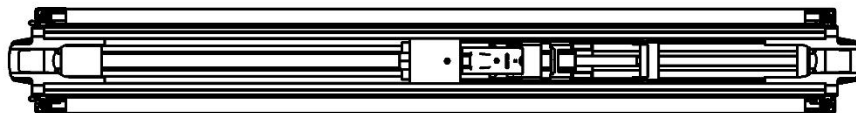
INTERMEDIATE CRANK ON FEMALE SIDE  
1:8



INTERMEDIATE CRANK ON MALE SIDE  
1:8



INTERMEDIATE BETWEEN TWO DOORS  
1:8

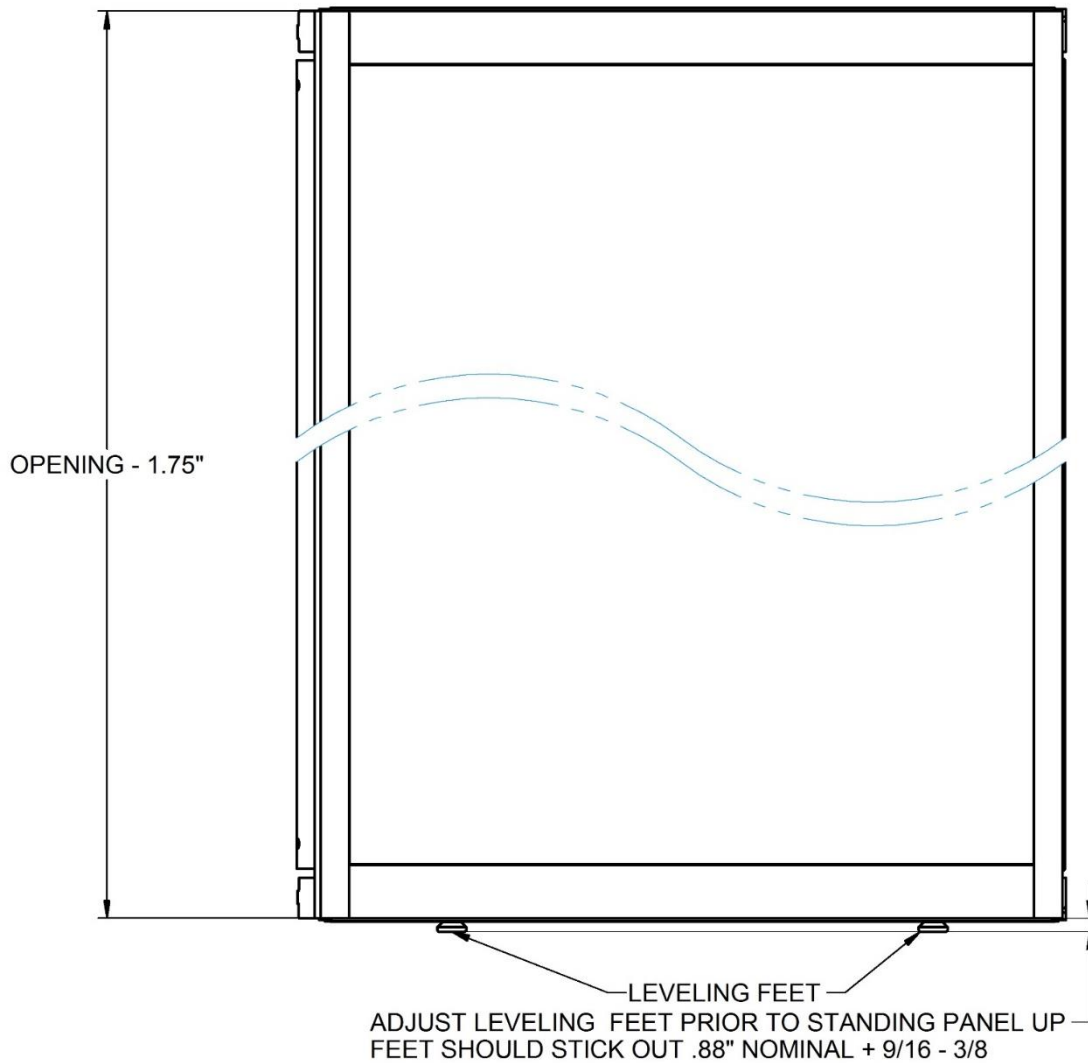


INTERMEDIATE BETWEEN TWO POSTS  
1:8

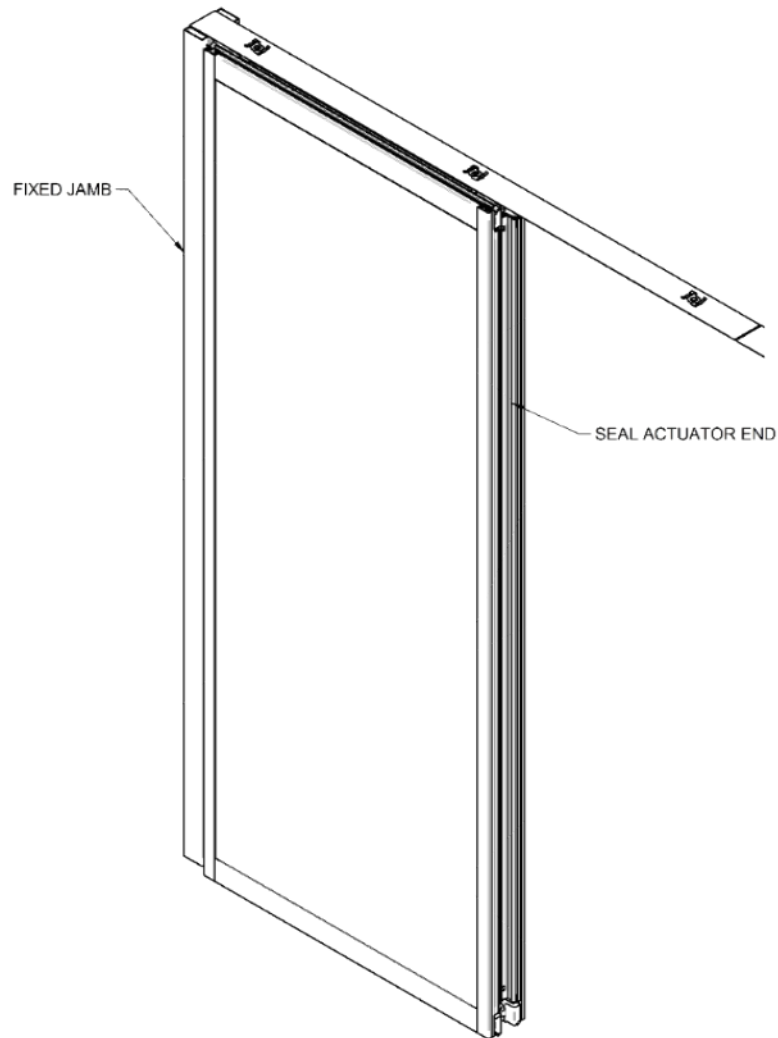
## Intermediate Panel Installation

Prior to installing any of the panels, adjust the leveling feet such that the panel will be centered in the opening. To calculate this:  $(\text{OPENING HEIGHT} - \text{PANEL HEIGHT}) / 2$ .

The top and bottom seal operation range is  $7/8" + 9/16" - 3/8"$ .



Place the first panel into the Fixed Jamb. The leveling feet may need additional adjustment. Once the panel is level, Actuate the Top and Bottom Seal by using the Manual Crank. Continue cranking the seal after contact has been made to build additional pressure which stabilizes the panel.



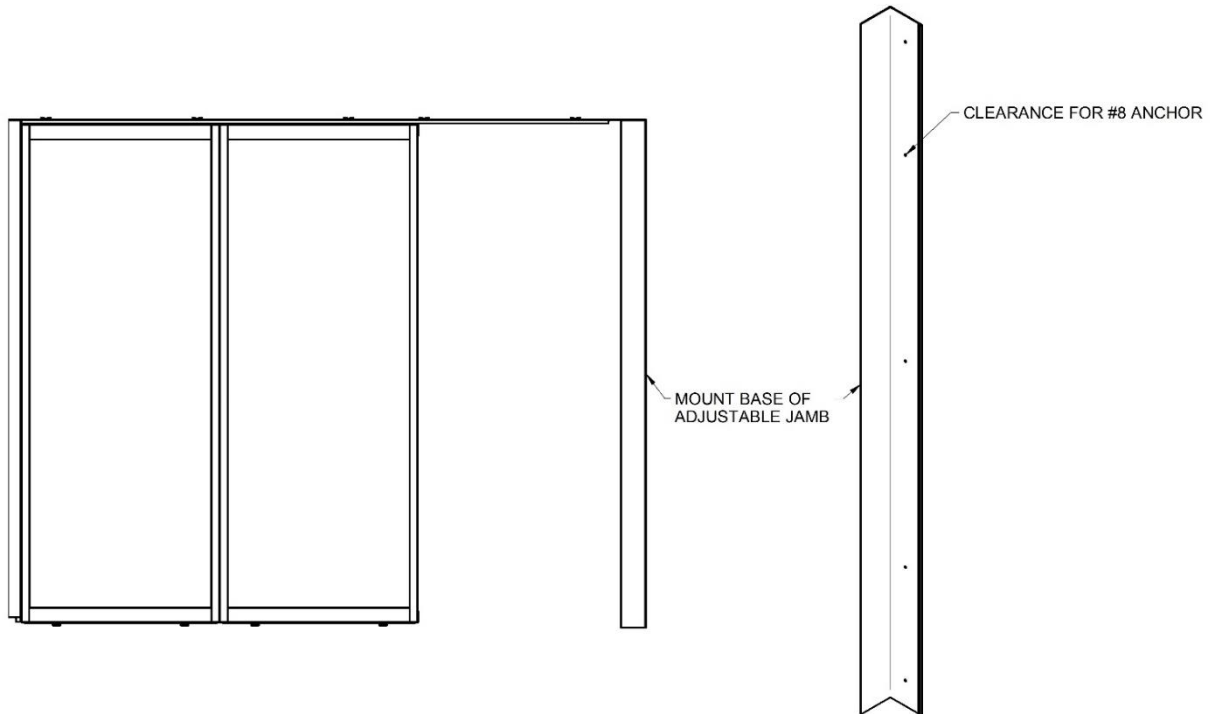
## Step 4 - Adjustable Jamb Installation

---

### Adjustable Jamb Installation

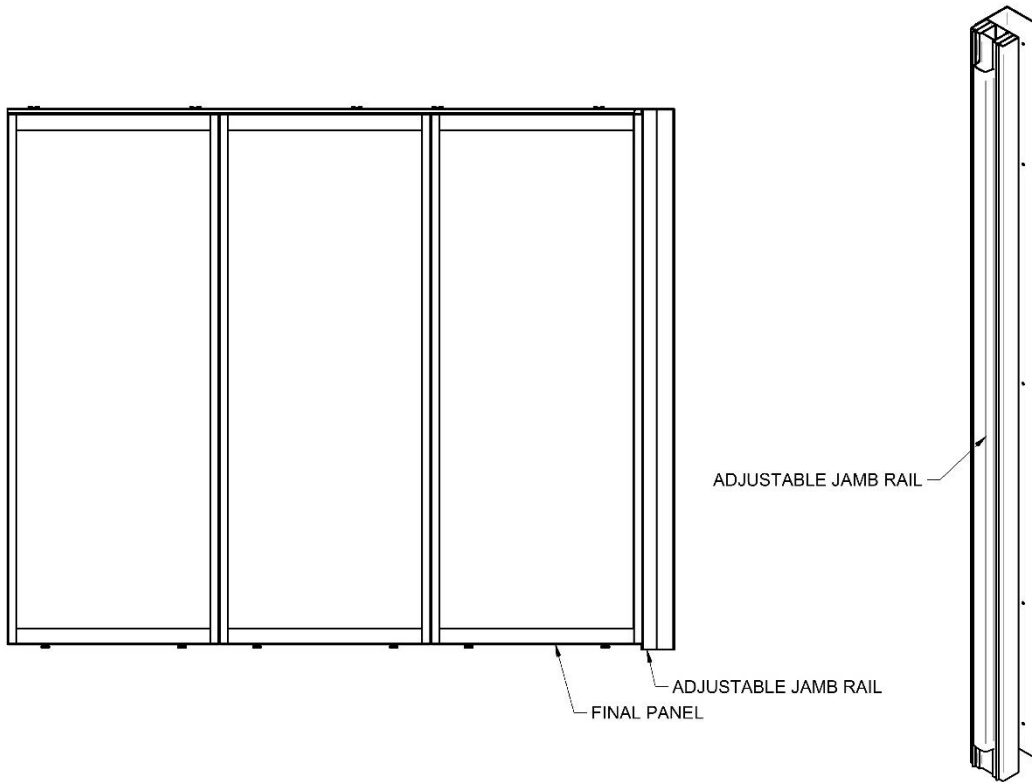
Prior to installing the Final Panel mount the Base of the Adjustable Jamb.

Clearance holes for #8 Anchors are on the C/L.



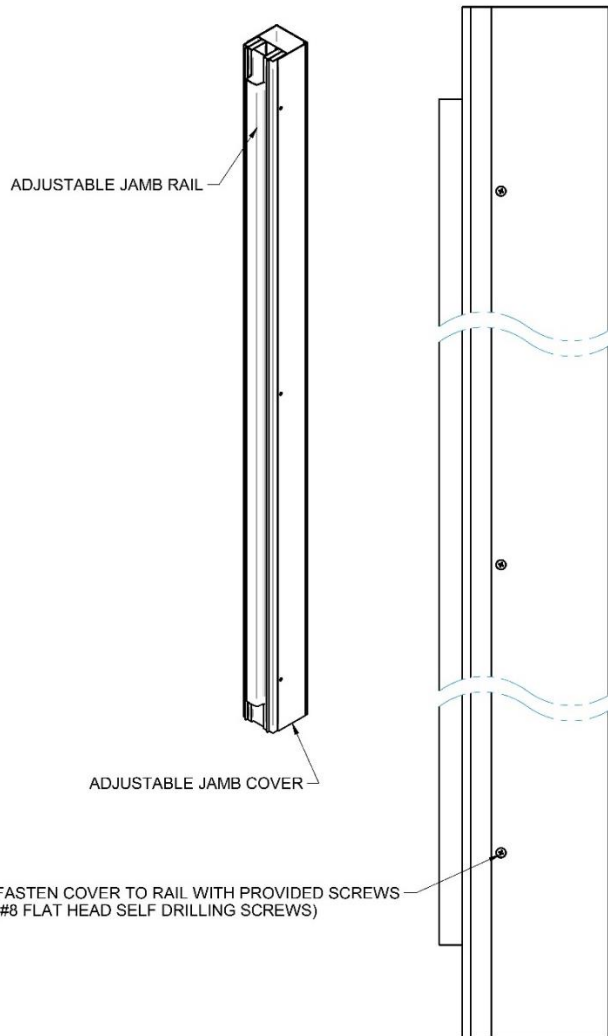
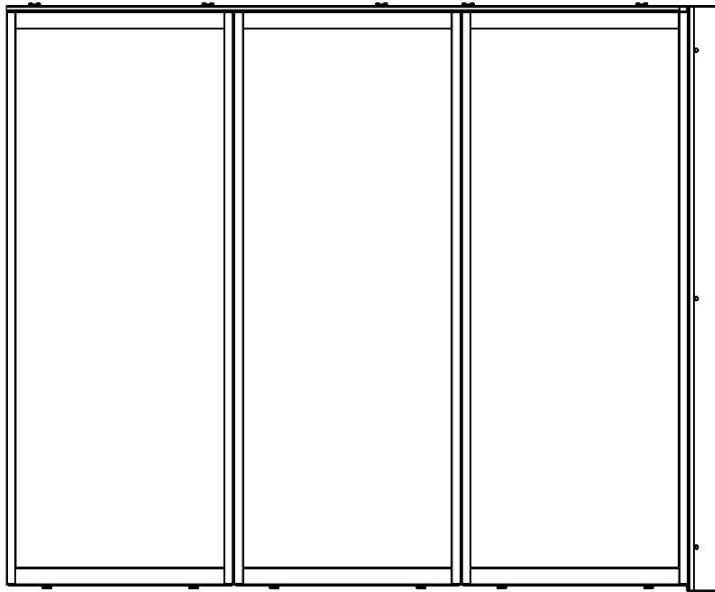
Install the Final Panel. A 6mm Ratchet must be used to actuate the Top and Bottom Seals.

Install the Adjustable Jamb Rail. Make sure the rail fits securely into the final panel adjacent rail.



To Install the Adjustable Jamb Cover.

1. Slide the Jamb Cover into the Jamb Base
2. Rotate the Jamb Cover 90° flush with the Jamb Rail.
3. Drill 1/8" Pilot Hole into the Adjustable Rail.
4. Fasten the cover to the rail with provided #8 Flat Head Self Drilling Screws.
5. Cover screw heads with provided fast caps



## Glass Installation

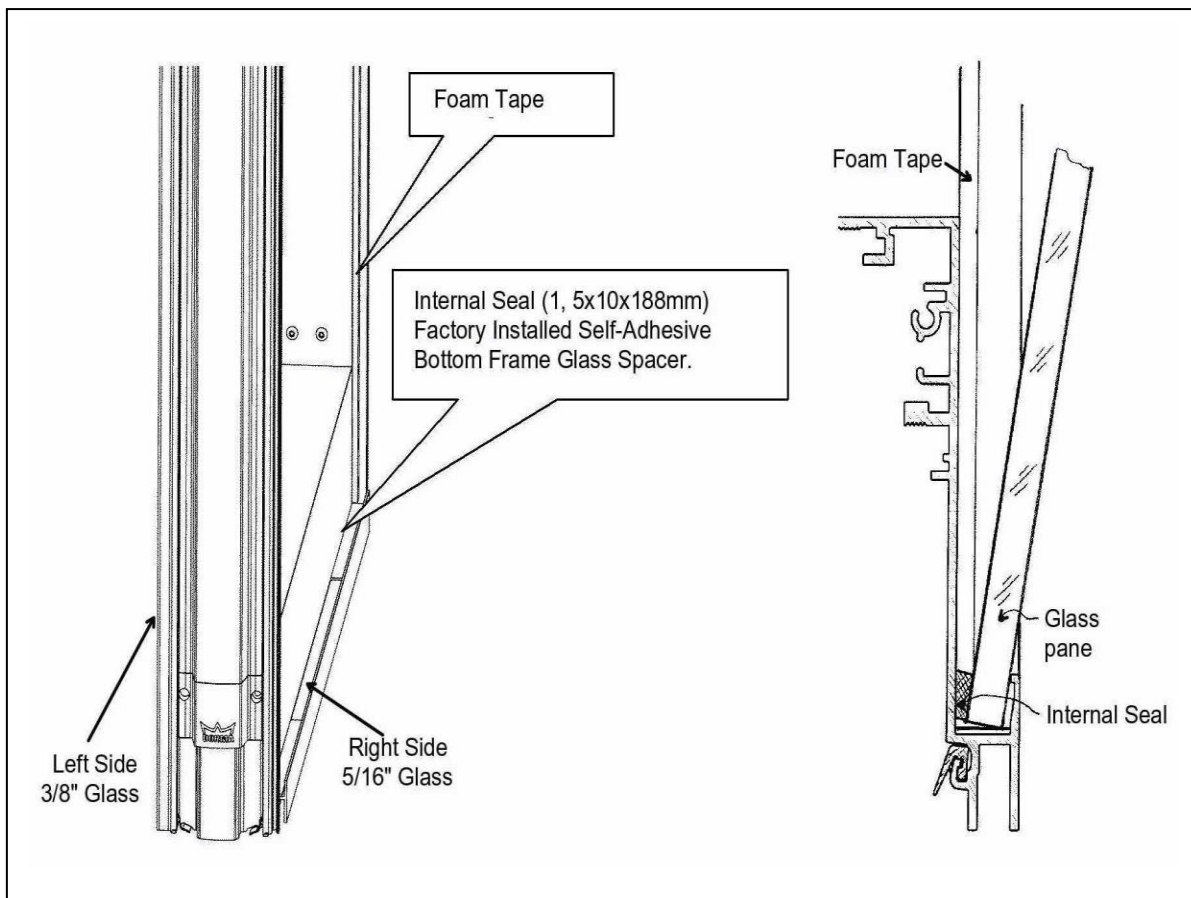
### Assembly Installation for Acousti-Clear Demountable® Glass

**Note: Acousti-Clear Demountable® Glass panels must consist of (1) 5/16" & (1) 3/8" Glass Panes.**

#### PRE-GLASS FACTORY INSTALLATION:

On the left side with **3/8"** glass: **1/8" GRAY FOAM TAPE** IS FACTORY INSTALLED.

On the right side with **5/16"** glass: **3/16" BLACK FOAM TAPE** IS FACTORY INSTALLED.



**Note: The frame and the glass panes must be checked and cleaned before assembly.**

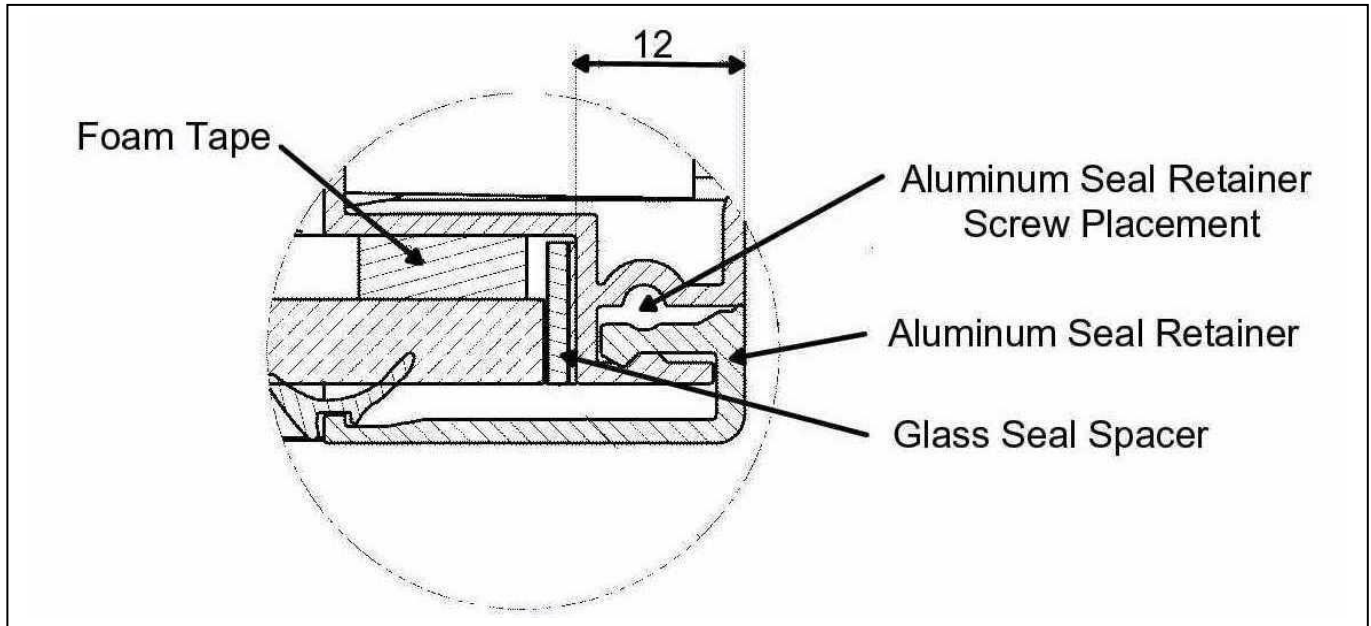
The glass panes are put in the frame and are secured with the Aluminum Seal Retainer and Glass Seal. The gap between the frame and the glass pane be filled in on the sides with the Glass Seal Spacer (self-adhesive).

The following steps should be taken after each pane of glass is placed in the panel:

**#1.** Insert the Aluminum Top Seal Retainer.

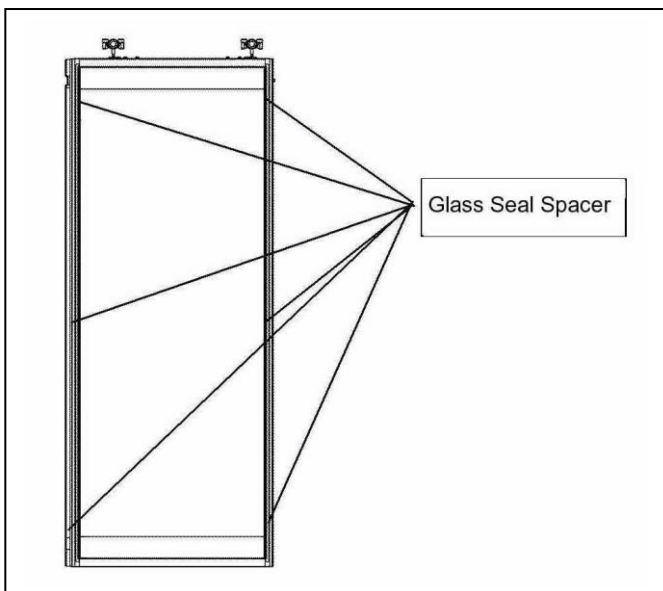
**#2.** Center the glass evenly with the following combination of glass spacers:

0,5x10x100mm (Glass Seal Spacer self-adhesive)



1,5x10x100mm (Glass Seal Spacer self-adhesive)

The glass seal spacer (self-adhesive) should be adhered to the frame in each case at the bottom, on top, and in the middle.



**Note:** # of Seal Spacers used will vary depending on fit of glass to the frame.

**Please make sure that the glass is square to the frame.**

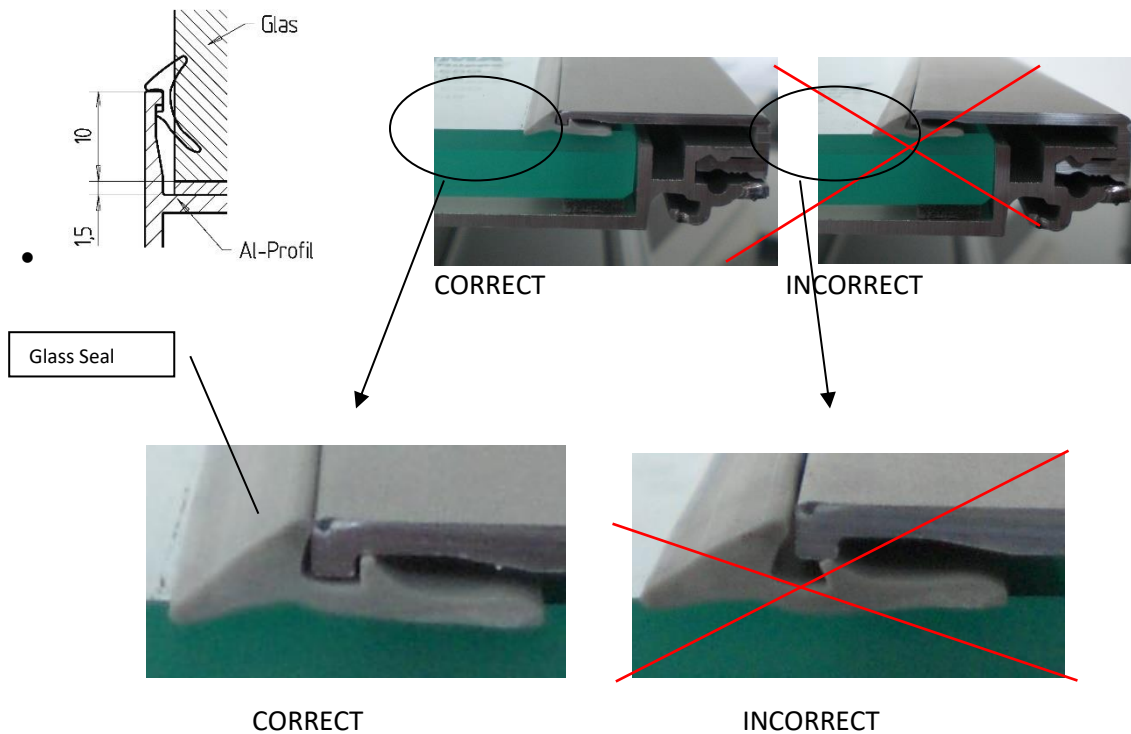
**#3.** Insert remaining aluminum vertical seal retainers.

**#4.** Slide in glass seal. (Miter 45°.on ends)

Insert Glass Seal at top. Then, while pushing in an upward direction, work seal under Aluminum Seal Retainer. Pushing upward should keep the seal from stretching.

**#5.** Insert screws into the bottom edges of the Aluminum Seal Retainer to prevent seals from slipping. (See illustration on Page 17) (4-Places)

**Note: Glass seal must be inserted as shown in picture below to fully secure glass panel.**

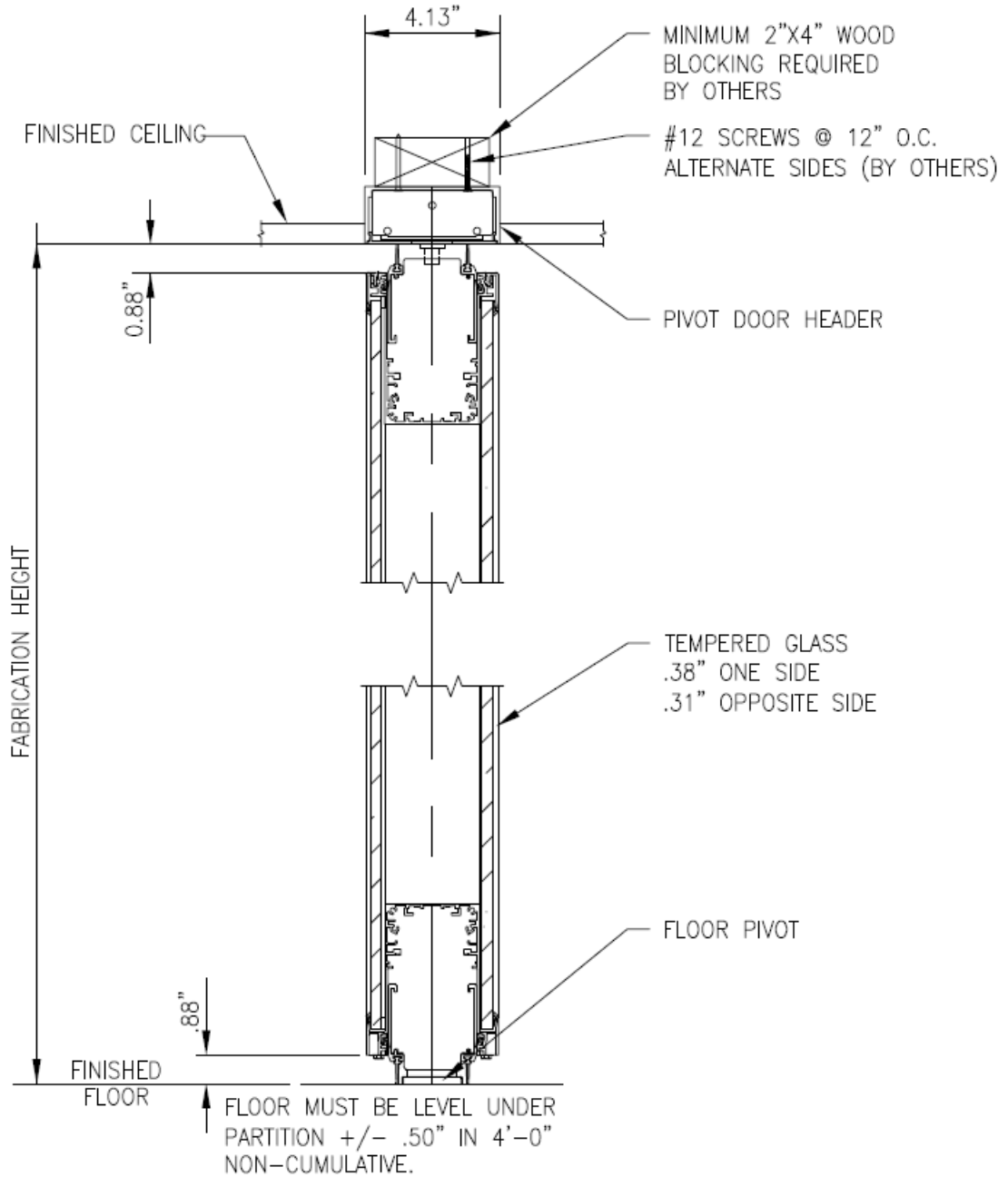


**Note: Spraying Windex on glass before attempting to install will let glass seal slide easier.**

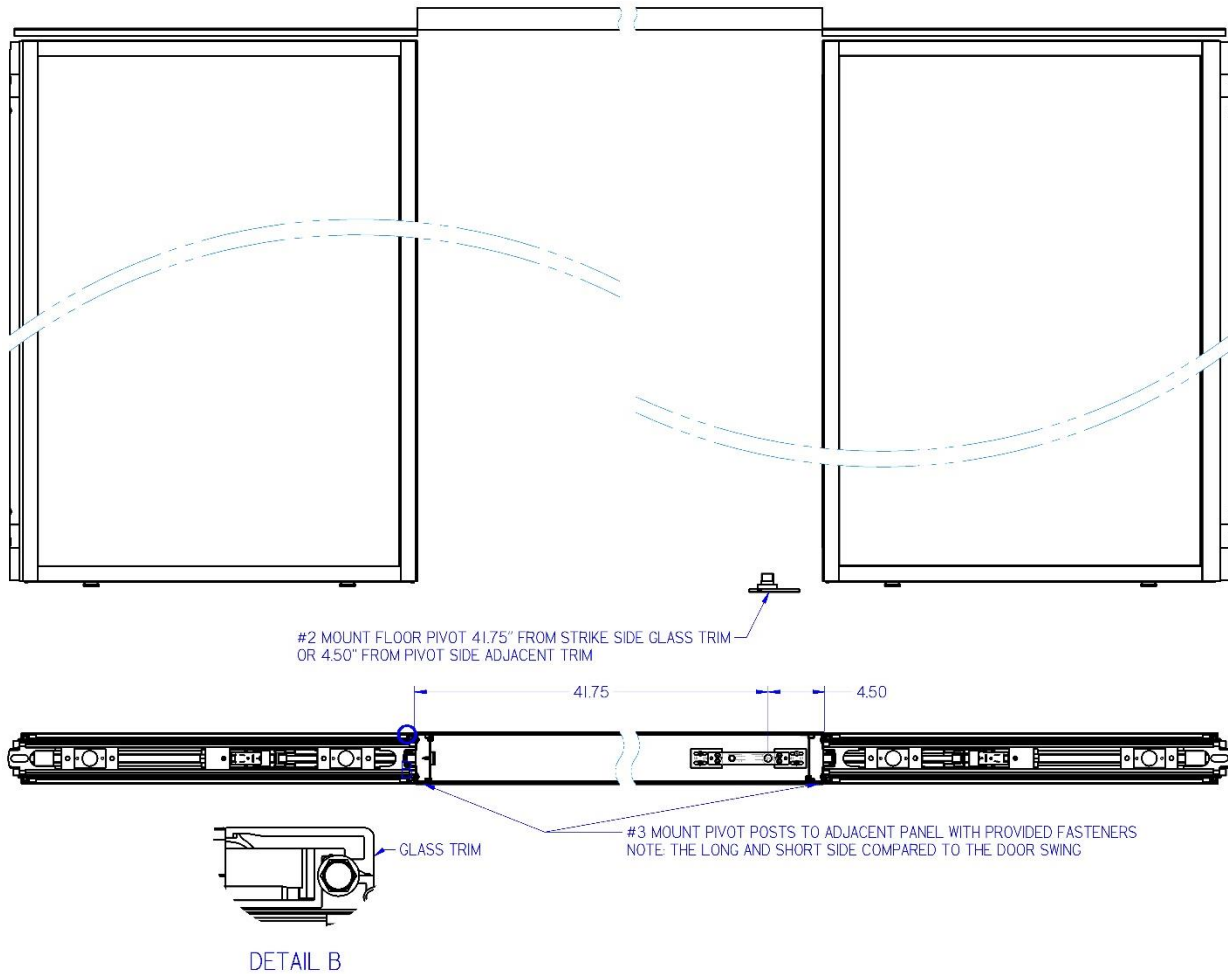
## Step 5 - Installation of the Glass Pivot Door

### Step 1 Installation of the header

Mount Pivot Door Header so that it doesn't move in any direction. This provides all the support for the top of the door.

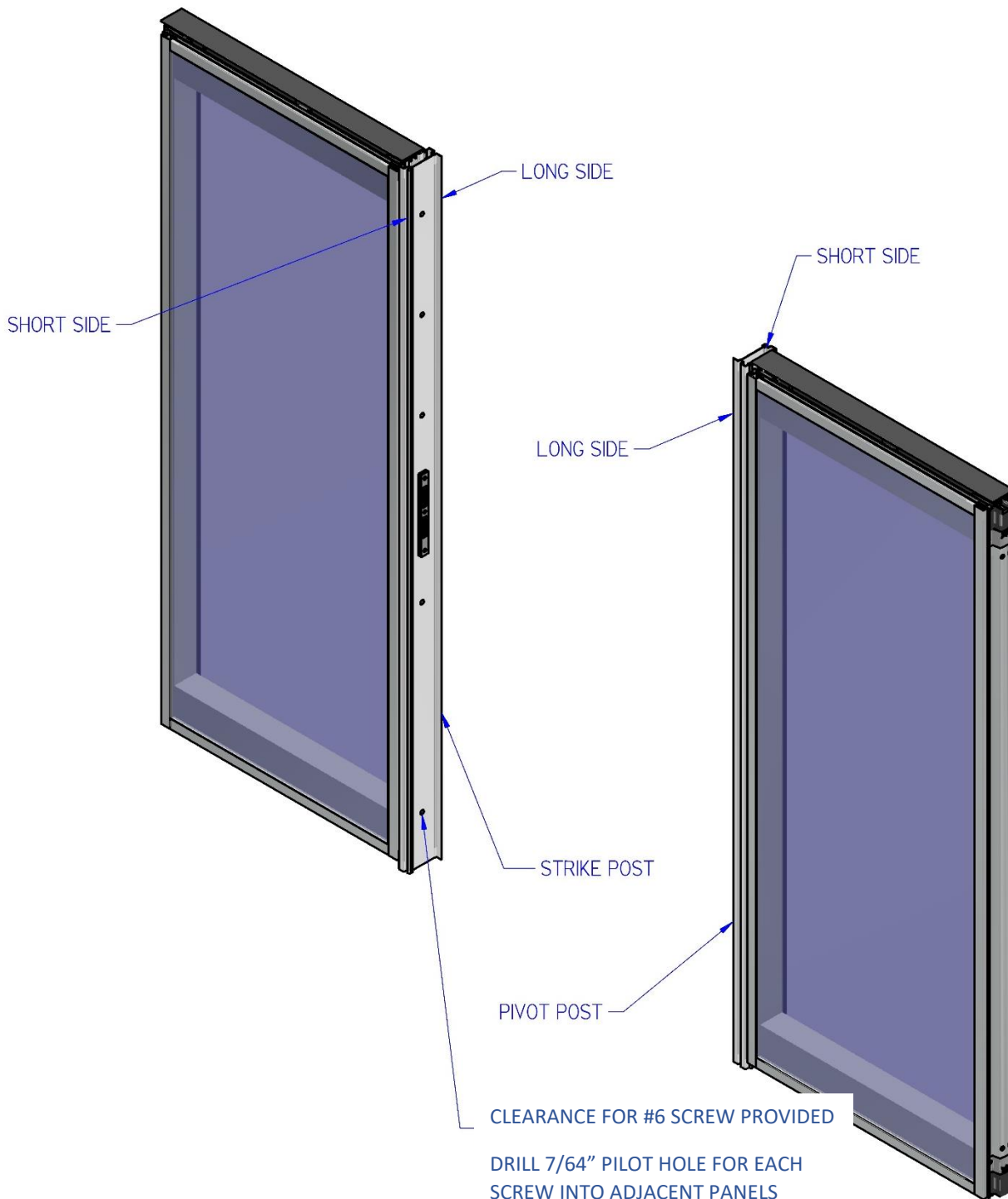


**VERTICAL SECTION**



### Step 2 Installing the Floor Pivot

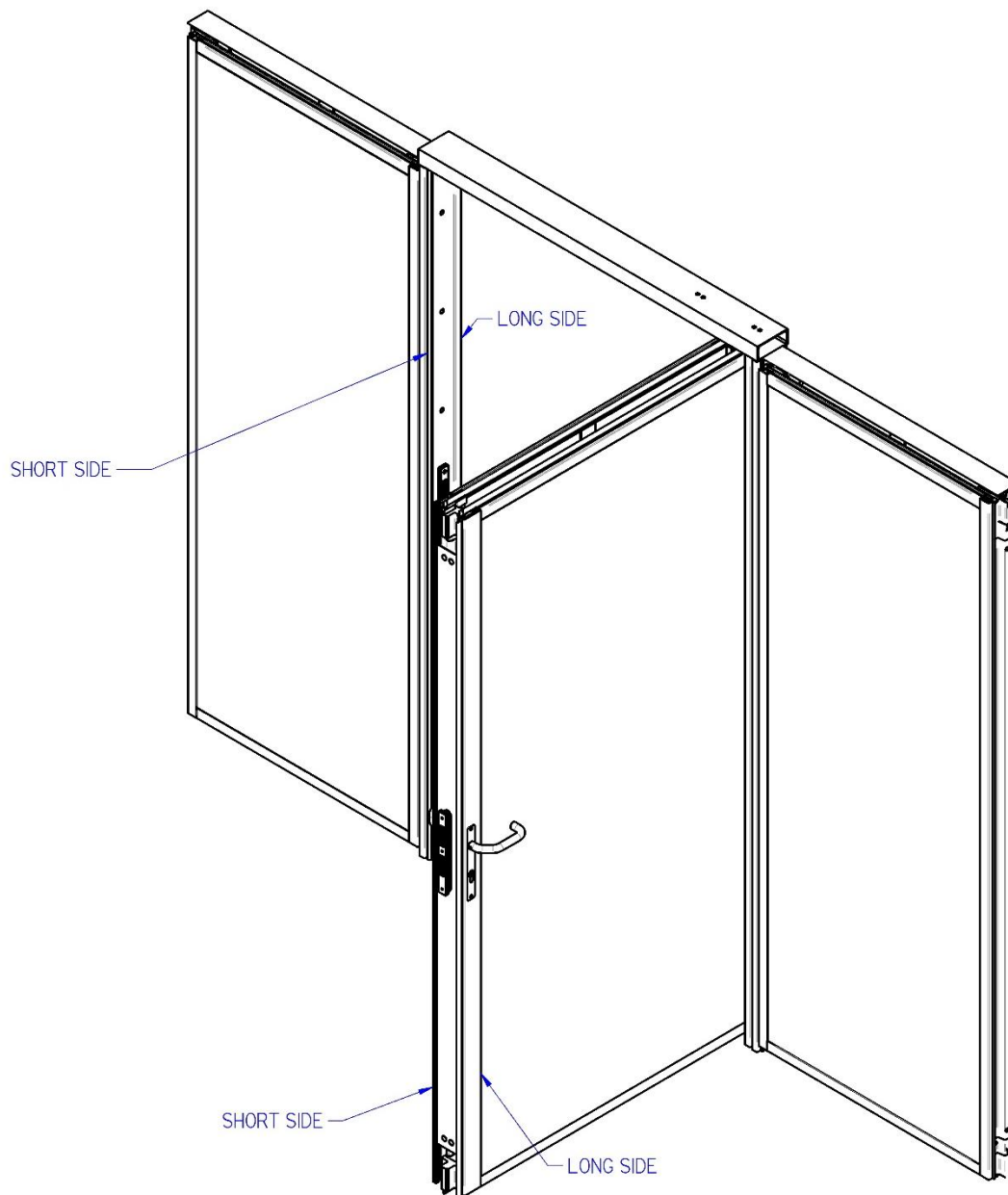
- a. Mark the Edge of the Glass Trim.
- b. Measure over 41 ¾" to mark the centerline of the Floor Pivot from strike side or 4 ½" from pivot side.
- c. Use the Floor Pivot as a guide to mark the mounting hole locations.
- d. Mount the Pivot with the provided hardware.



STEP 3 FASTEN PIVOT POSTS TO ADJACENT PANELS

## Installing the Pivot Door

- a. The Pivot Door and Pivot Posts all have similar extrusions with a Long Side and Short Side. The Pivot Door should be installed where the short side passes by the Strike Post short side and seals against the Strike Post long side.
- b. The Centerline of the Floor Pivot should align with the Top Pivot Pin. Slide the Top Pivot over and lock it down.
- c. The Floor Pivot fits into a pivot receiver mounted to the bottom of the Pivot Door. Carefully align the two and stand the Pivot Door up.
- d. Lower the Pivot Pin into the Block located in the Door by turning the Pivot Pin Actuator with a flat screw driver.



- e. To Plumb the Door, open the Door 90°, raise the Pivot Pin out of the Pivot Block, and slide the Top Pivot accordingly. Once the Door is plumb, tighten the screws down (step 5). **Note the Door must be supported while the Pin is out of the Pivot Block.**

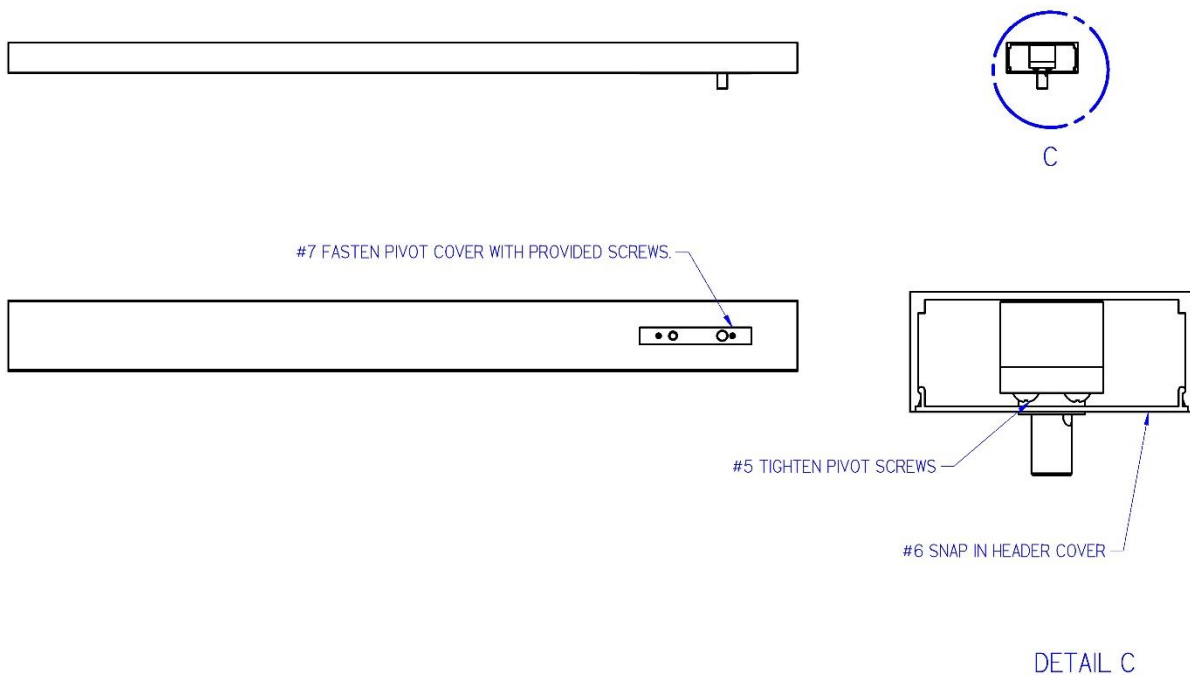
f.

**Step 6** Snap in Header Cover

**Step 7** Fasten Pivot Cover with provided screws.

**Step 8** Lower the Pivot Pin back into the Pivot Block

**Step 9** Actuate the Top and Bottom Seals by using the Manual Crank. Crank the Drop Seals until the seals brush against the track and floor.



## Step 6 - Maintenance

---

By maintaining your installation after it is complete, you can keep its operation and appearance in good condition for many years.

### Panel Maintenance

The panels should be periodically checked for damage and repaired as necessary. Regularly inspect all seal mechanisms and operate the closure. Any adjustments necessary should be made and/or any damaged or inoperable parts should be replaced.

After the first and third years of operation, panel vertical edges should be checked for plumb, and if necessary, plumbed again by adjusting the trolleys. (This can also be a result of header deflection.)

### Cleaning

Regular cleaning of the partition is a housekeeping procedure that your customer should perform. However, during installation and operation, the panels can also get soiled or marked.

- Clean the laminate surfaces using a damp cloth or sponge and a mild soap. For more on cleaning more difficult stains go to [wilsonart.com](http://wilsonart.com) for instructions.
- Clean the vertical profiles using only a weak soap solution.
- Use a standard glass cleaner when cleaning the Acousti-Clear Demountable® glass

### IDENTIFICATION FOR THE DISTRIBUTOR

This label with the appropriate numbers applied is installed on the top of the panel assembly. It can help you later, if this partition should ever need repairs.

<b>ORDER #</b> _____ <b>LEAD</b> →
<b>PARTITION:</b> _____

### IDENTIFICATION FOR THE END USER

<b>Installer Information</b>
Company: _____
Install Date: _____
Job # _____





215 West New Road  
Greenfield, IN 46140

Toll Free: 800.869.9685

email: [info@modernfold.com](mailto:info@modernfold.com)

[www.modernfold.com](http://www.modernfold.com)

A Dormakaba Group Company

[www.dormakaba.com](http://www.dormakaba.com)

Form No. 8203

Revision Date: December 23, 2020

Manufacturer reserves the right to change design or specifications at any time without notice.

Please contact your local Modernfold distributor for further assistance, or visit our website at [www.modernfold.com](http://www.modernfold.com)