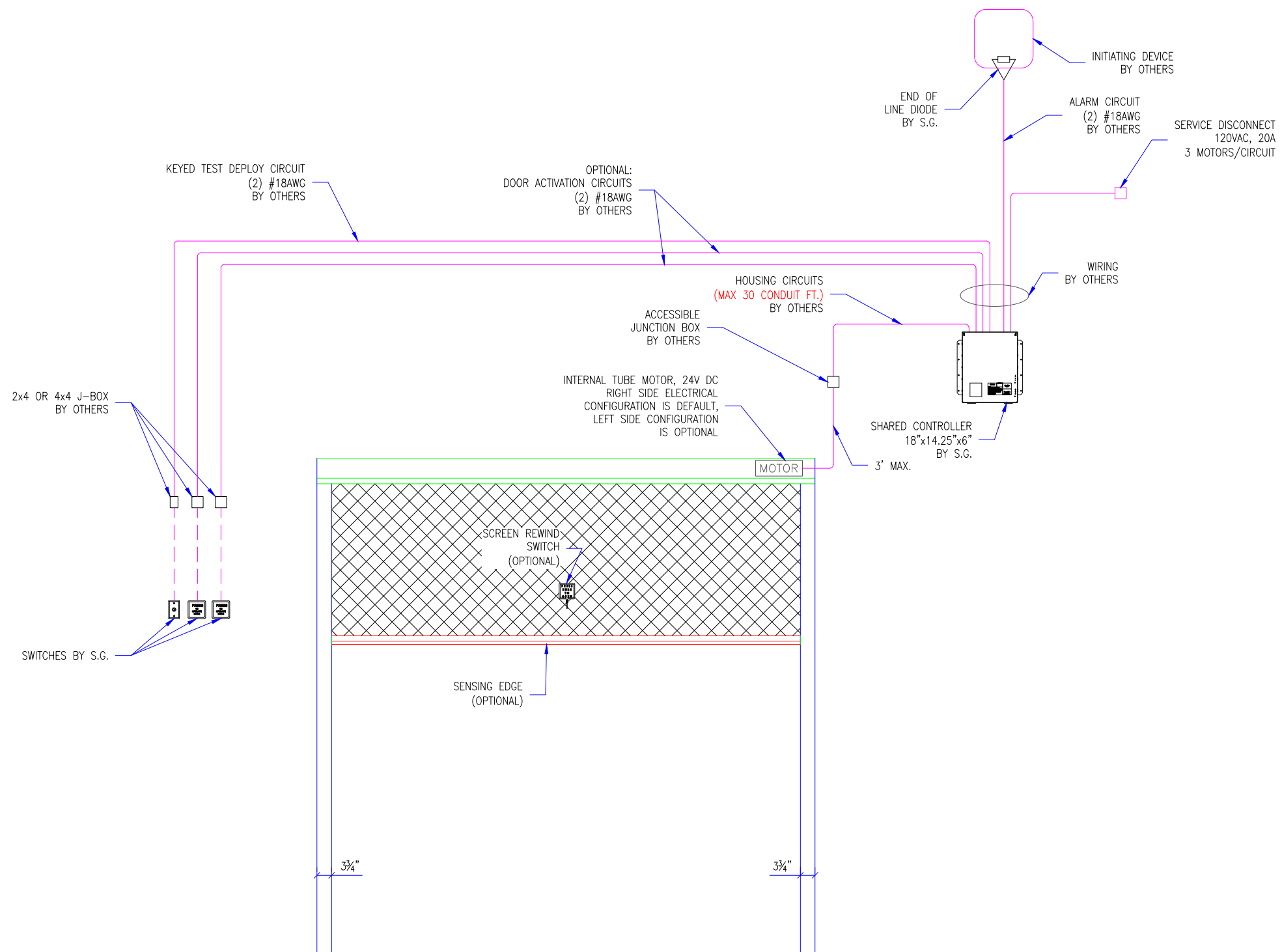
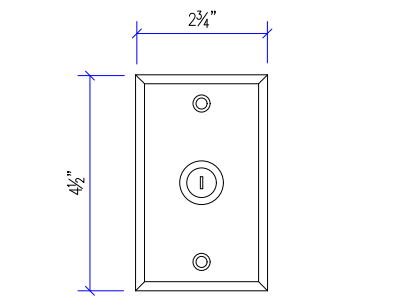


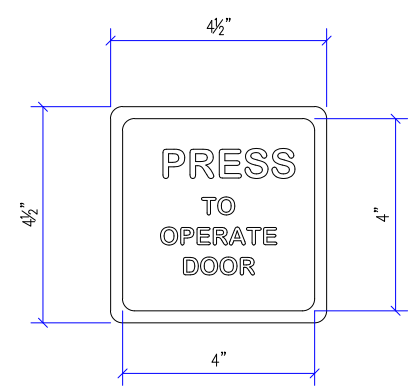
- M2100 ELECTRICAL NOTES:
- SMOKE GUARD TO PROVIDE:
    - MAIN CONTROLLER STATION
    - END-OF-LINE DIODE
  - ALL REMAINING ELECTRICAL BY OTHERS.
  - DEFAULT LOCATION OF MAIN MOTOR IS RIGHT SIDE VIEWED FROM FRONT ELEVATION. LEFT SIDE IS OPTIONAL UPON REQUEST.
  - CONTROLLER DIMENSIONS ARE 18"x14.25"x6", REFER TO SUPPLEMENTARY DOCUMENTATION FOR WIRING SPECIFICS & MOUNTING DETAILS.



**A** ELECTRICAL DIAGRAM  
SCALE: 3/8" = 1'-0"



**1** DETAIL: KEYED TEST DEPLOY SWITCH  
SCALE: 3" = 1'-0"



**2** DETAIL: DOOR ACTIVATION SWITCH  
SCALE: 3" = 1'-0"

REVISION		
REVISION NUMBER	REVISION DATE	REVISION DESCRIPTION
01	7.27.19	INITIAL RELEASE

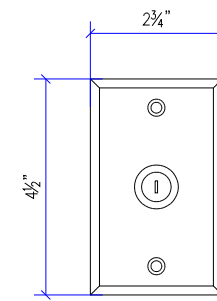
QUOTE:  
CONFIGURATION:  
PROJECT:  
DIST.:

DESIGN SET: D1	SIZE <b>B</b>
MODEL: M2100	SHEET 1 OF 2
ELECTRICAL DIAGRAM SINGLE CONTROLLER	DRAWN: TM 7.27.2020

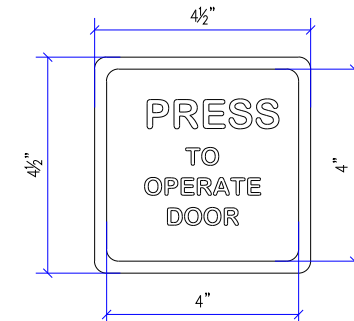


287 N. Maple Grove  
Boise, ID 83704  
800.574.0330  
www.smokeguard.com

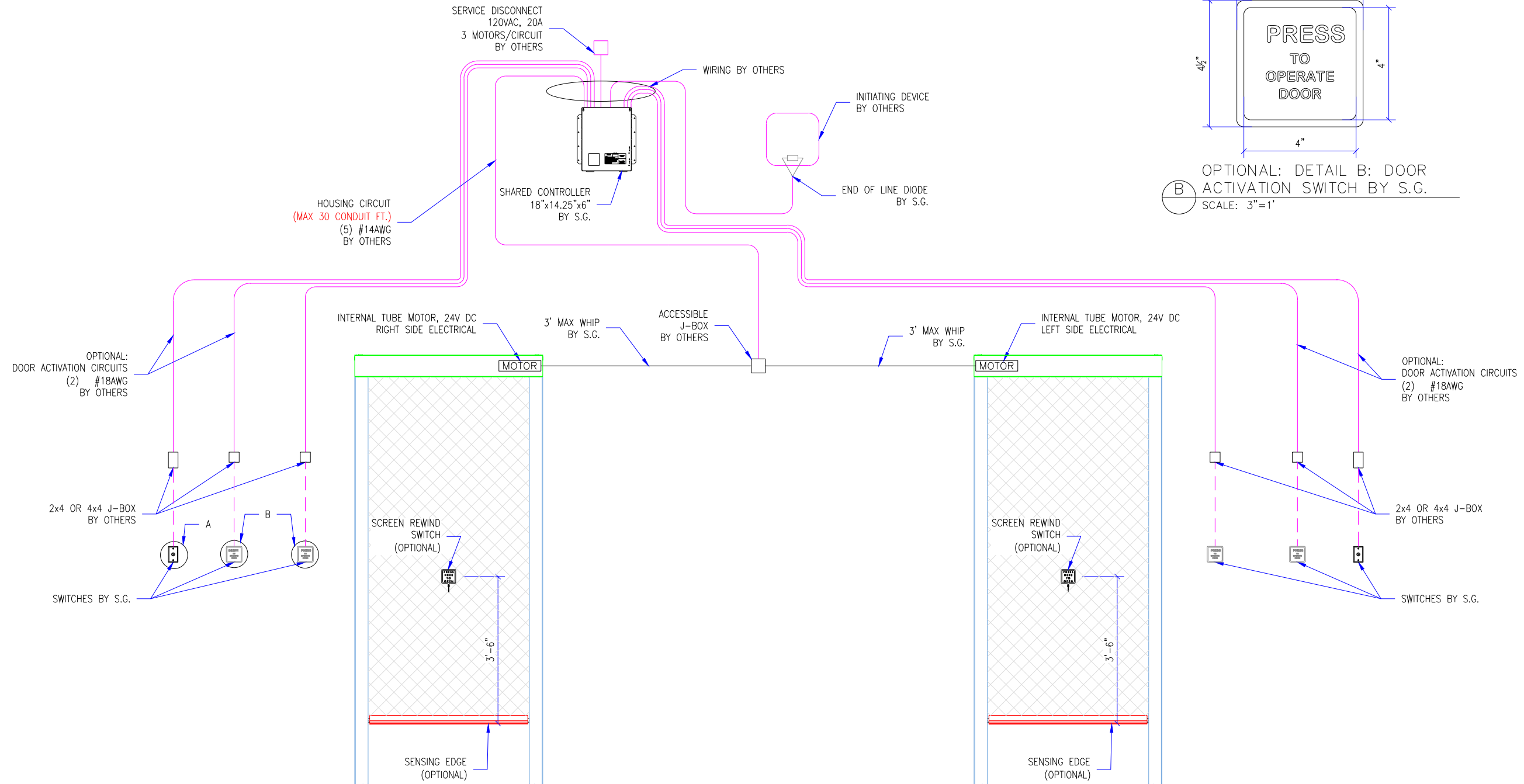
- M2100 ELECTRICAL NOTES:
- SMOKE GUARD TO PROVIDE:
    - MAIN CONTROLLER STATION
    - END-OF-LINE DIODE
  - ALL REMAINING ELECTRICAL BY OTHERS.
  - DEFAULT LOCATION OF MAIN MOTOR IS RIGHT SIDE VIEWED FROM FRONT ELEVATION. LEFT SIDE IS OPTIONAL UPON REQUEST.
  - CONTROLLER DIMENSIONS ARE 18"x14.25"x 6", REFER TO SUPPLEMENTARY DOCUMENTATION FOR WIRING SPECIFICS & MOUNTING DETAILS.



(A) DETAIL A: KEYED TEST DEPLOY SWITCH BY S.G.  
SCALE: 3"=1'



(B) OPTIONAL: DETAIL B: DOOR ACTIVATION SWITCH BY S.G.  
SCALE: 3"=1'



(1) M2100 SHARED CONTROLLER  
SCALE: 3/8" = 1'-0"

REVISION

REVISION NUMBER	REVISION DATE	REVISION DESCRIPTION
01	7.27.19	INITIAL RELEASE

QUOTE:  
CONFIGURATION:  
PROJECT:  
DIST.:

DESIGN SET: D1	SIZE <b>B</b>
MODEL: M2100	SHEET 2 OF 2
ELECTRICAL DIAGRAM SHARED CONTROLLER	
DRAWN: TM	7.27.2020