

division of LIBART



View

Vertical Retracting Windows & Doors



panorasystems.com

FOR A BETTER VIEW
panorasystems.com

VIEW VERTICAL RETRACTING WINDOWS & DOORS

Libart is proud to announce the revolution in Windows & Doors. Throughout the centuries there have been improvements in the flexibility and variety of Window & Door systems. However, they have always been limited in their primary function of providing uninhibited views. View, Vertical Retracting Window & Door Systems presents;

A NEW PARADIGM TO THE ARCHITECTURAL WORLD

Imagine a glass wall that virtually disappears to create a Window or Door function by sliding up or down, without taking up any space in its operation.

VIEW, WINDOWS & DOORS

View, vertical retracting Windows & Doors, provide unobstructed large span openings of up to 6m wide by 5m high.

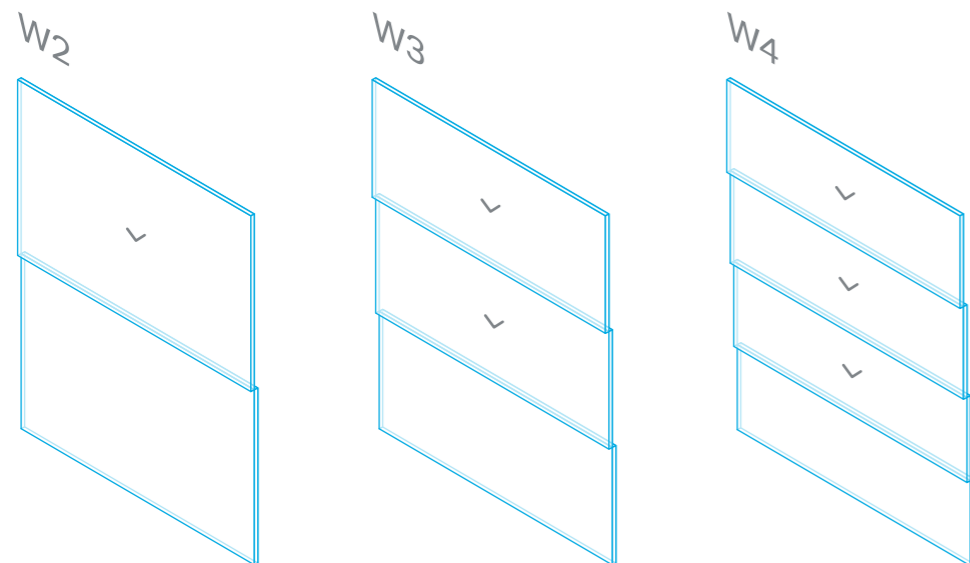
A Window or a Door, View Systems will provide you the solution you been searching for.



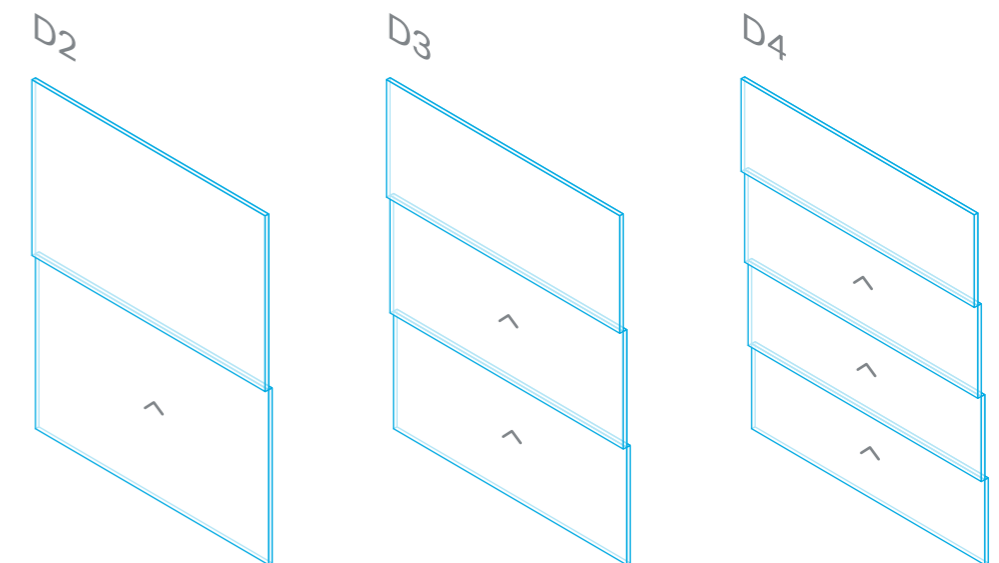
RETRACTION DOWN



WINDOW SYSTEMS



DOOR SYSTEMS



RETRACTION UP



BETTER VIEW

WHEN CLOSED

VIRTUALLY FREE OF FRAMES

View, Windows & Doors are designed to provide a maximum unobstructed view, even when closed.

Specially designed, minimalistic frames with reinforcement options can withstand heavy wind loads and carry the loads of large insulated glass panes. Thus, providing the widest panoramic view (up to 6m wide and 5m height) with limited framing and complete safety.

← up to 6m →



MAXIMUM VIEW

WHEN OPEN

FREE OF FRAMES

Fully open, operable frames stack behind the fixed panel, providing a frameless net opening. Based on the available height, View, systems are available in models that provide net opening of 50%, 66% or 75% of the total area.

Control system of the View, Windows & Doors allows the user to stop and adjust the net opening at any position. The new paradigm of design & control will give freedom to your perspective and comfort.

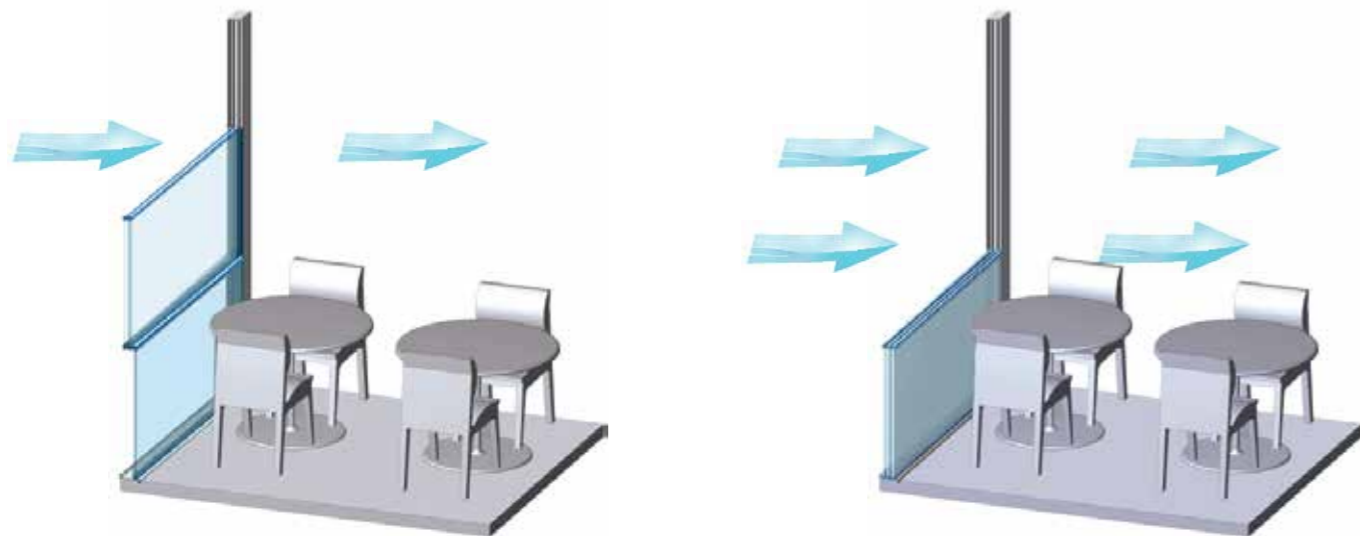


BETTER VENTILATION CONTROL

Partial opening option of View, Window Systems can protect from direct wind, while allowing for fresh air exchange without disturbing those enjoying the view.

Traditional sliding or folding windows are unable to provide wind protection while partially opened. View, Window Systems are designed to provide comfort that was missing until now.

View, Windows & Doors are designed with 4 layers of weather seals between all operable surfaces to assure excellent insulation in all weather conditions.

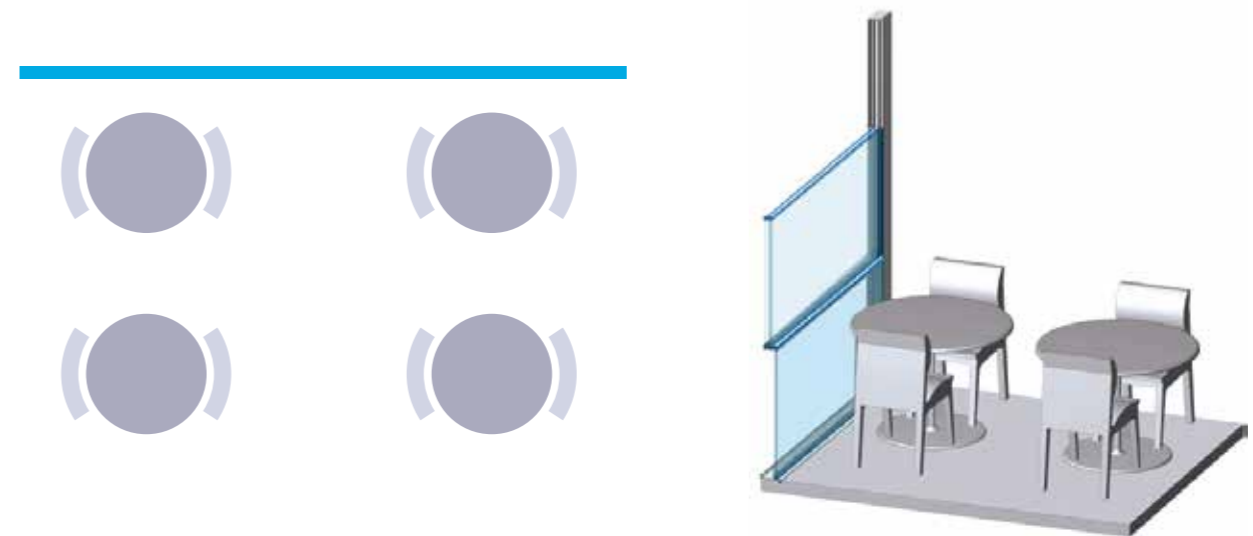


MAXIMIZE YOUR WINDOW SEATING & VIEW

Traditional Windows & Doors require an operational area protruding inside that intrudes in to your living area. View, vertical Windows & Doors allow you to maximize your window seating.

Window seats are the most preferred location in any commercial establishment. Unlike sliding or folding windows, opening, or closing of View, Windows will not disturb those who enjoy the view, with a vertical operation without any disturbance.

With a built-in balustrade system in the View, Window Systems, there is no need for a curb wall, secondary glass or steel balustrade that must be used in sliding or folding windows for safety.





DARK HILL

View, Window Maxima W3
Project Code: 3589
w: 4,5m x 3.1m (2 Units)
Turkey

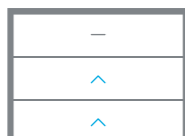
▼
▼
—

A short elevator ride to the rooftop Restaurant presents you with a wonderful view of the Bosphorus. Libart has created a space where there are more tables next to the windows and more people can enjoy the view of The Bosphorus.



LONDON WALL

View, Door Maxima D3
 Project Code: 2080
 w: 3 x 4 m (3 Units)
 United Kingdom



The café at this new development required an open frontage to blend the indoors with the outdoors. Libart's View, Doors maximize the space inside and flood the venue with light. They also complement the area's blend of modern and ancient architecture. Whether open or closed, they provide a relaxing view of the landscaping at this oasis of calm in a busy urban environment.





VALLGATAN SHOP

View, Window Maxi W3
 Project Code: 4126
 w: 4,3 x 2,8 m
 Sweden



This special solution fitted the designs of the architect. A View, Window with only the center panel retracting down, creating a glass balustrade where people sit in front of it and enjoy their day. The top small glass is fixed to support the design of the architect.



DOOR SYSTEMS



COOPERS HAWK LIBERTY

View, Door Maxima D4
 Project Code: 2401
 w: 4 x 4 m (2 Units)
 United States

The Restaurants required an open frontage to blend the indoors with the outdoors. View, Door (D4) systems will retract up and create an unobstructed access area for you connecting your outdoors with indoors, simplifying more space for your clients.

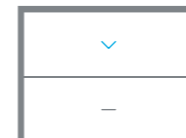


FOR A BETTER VIEW



CAFE DEL PRINCIPE

View, Window Max W2
Project Code: 4850
w: 2 x 3 m (9 Units)
Spain



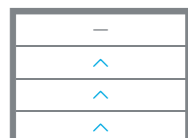
View, Windows (W2) integrated with the space that deserves this excited and elegant product. Creating a unique experience for the visitors of this café, who can now have a look outside uninterrupted and feel connected to the environment. With no profiles in the center that hurdles the sight and decent motor for the retraction makes the space behave modern and unique.



CITY WORK WHEELING

View, Door Maxima D4
 Project Code: 8409
 w: 3 x 4 m (4 Units)
 United States

In this application, View Windows were arranged to retract up (in Door, D4 operation mode), thus providing a completely unobstructed view just above the curb wall. Free up the commercial space allowing the customers for panoramic views or impeding on the restaurant's square footage.





SANTO CIELO

View, Window Maxima W3
Project Code: 7725
w: 3,5 x 2,5 m (11 units)
United States

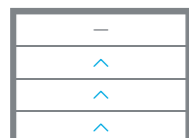


View, Windows (W3) with no center profile allows the valuable view and when the weather's nice, Santo Cielo's windows retract downwards, turning the entire restaurant into an open-air cafe. The views are panoramic, and the feeling is like that you are sitting outside under the stars.

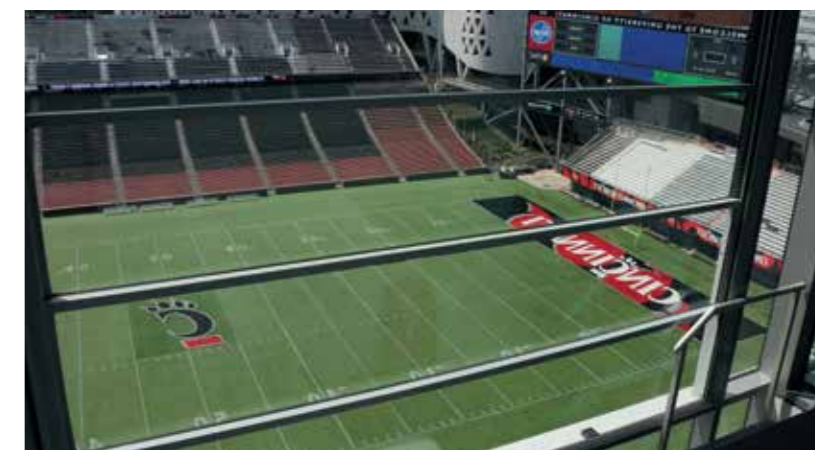


NIPPERT STADIUM

View, Door Maxima D4
 Project Code: 2783
 4 x 4 m (4 Units)
 United States



A clear, wide unobstructed view from the Media Box to the field enclosure to the field is so very important to the Media and TV crews. Classic windows have vertical frames that limit the view of the field. View, Windows (in Door, D4 operation mode) is a perfect match that offers a clean and unobstructed view when used on a curb wall. The Field viewing experience from the Media Box at Nipper stadium is an absolute joy.



5 VARIATIONS TO SUIT YOUR NEED

One size does not suit all

MAX ◦ MAXI ◦ MAXI+ ◦ FAÇADE ◦ MAXIMA

VIEW MAX

- Cost Efficient
- Non - Thermally broken profiles
- Up to 20mm of glazing thickness
- Insulated glazed options

VIEW MAXI

- Large opening & commercial operation
- Thermally broken profiles & frames
- Excellent thermal insulation
- Up to 32mm of glazing thickness

VIEW MAXI+

- Large opening & commercial operation
- Thermally broken profiles & frames
- Excellent thermal insulation
- Up to 32mm of glazing thickness

VIEW FAÇADE

- Integration to curtain wall systems
- Thermally broken profiles & frames
- Excellent thermal insulation
- Up to 38mm of glazing thickness

VIEW MAXIMA

- Large opening & commercial operation
- Thermally broken profiles & frames
- Excellent thermal insulation
- Up to 32mm of glazing thickness

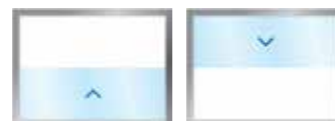
Operation Modes

W 1



One frame boutique solution.
Frame retracts under ground.
Needs approval by Libart.

D 1



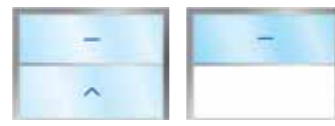
One frame boutique solution.
Frame retracts inside the wall.
Needs approval by Libart.

W 2



Two frames, window model.
Maximum application height
of 3.5m. Fixed frame used as
balustrade.

D 2



Two frames, door model. Best
use for application that won't
need an access point. Maximum
application height of 3.5m.

W 3



Three frames, standard
window model. Fixed frame
used as balustrade.

D 3



Three frames, door model.
Best use for application
height of 3.5m.

W 4



Four frames, window model
for heights over 4m. Fixed
frame used as balustrade.

D 4



Four frames, door model.
Standard solution for door
models. Large access height,
small size frames.

WHAT IS

THE DIFFERENCE OF VIEW

VERTICAL WINDOWS & DOORS

UP TO 6M WIDE SYSTEMS

Vertically acting View, Windows & Doors can be built up to 6m width and up to 6m in height for an unobstructed view and maximum use of every opening in your building.

EXCELLENT THERMAL INSULATION

Thermally broken profiles, engineered insulated glass and special profiles and seals provide excellent thermal insulation. The ability to insulated glazing (upto 38mm) and variation options will provide exactly the performance you need. (Available in Maxi ,Maxi+, Maxima & Façade models).

700+ KG VERTICAL RETRACTION

View Maxima (GUG) systems are designed to operate large panels of glass (up to 700 Kg), utilizing industry-leading screw drive system. Panora's continuous attention to design and engineering is our promise to provide innovative and problem-free products.

MINIMALISTIC DESIGN APPROACH

A design team of industrial designers, architects, mechanical and electrical engineers approach product development with these goals in sight. To produce products that are; Innovative, Problem solving and Esthetic.

EASIER AND COST EFFECTIVE INSTALLATION

View, vertical opening Windows & Doors can be installed similar to regular windows & doors, there is little or **no need** for special site preparation.

- NO hidden pockets for counterweights,
- NO reinforced header to help carry heavyweights
- NO special drainage guttering.

VIEW MAX GUL STANDARD AND OPTIONAL CLASSIFICATIONS

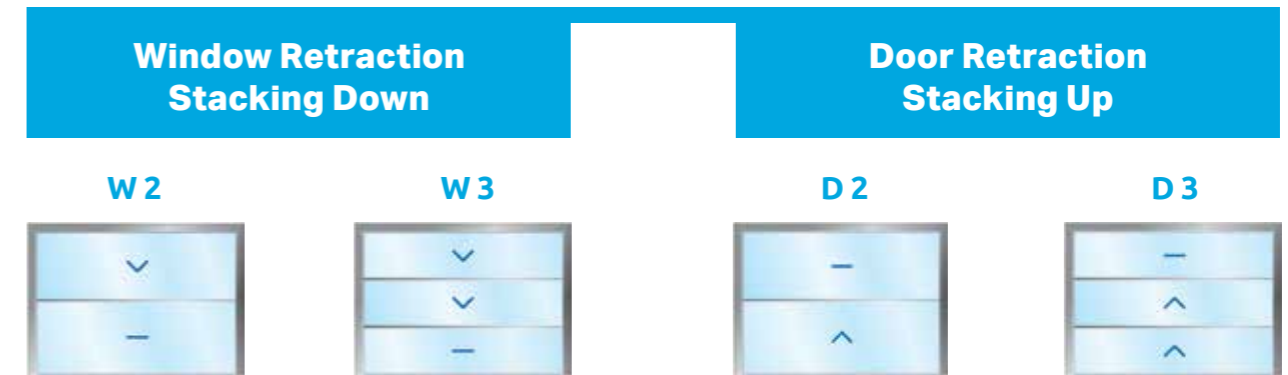
MECHANICAL&ELECTRICAL

STRUCTURAL

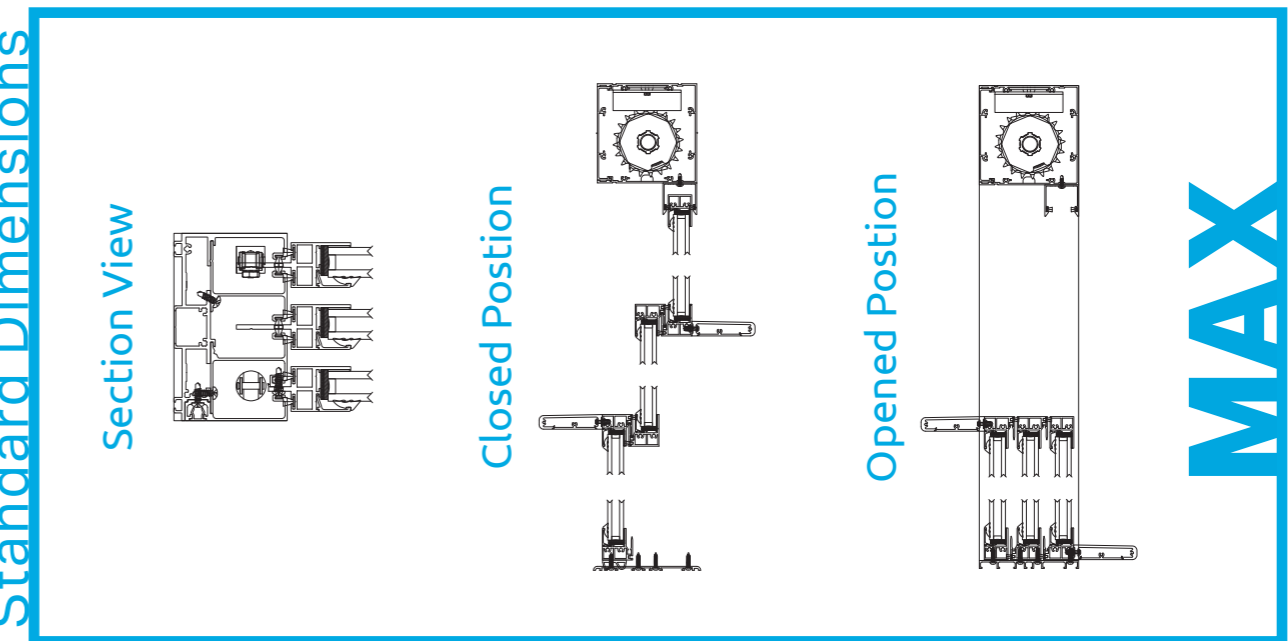
- Cost Efficient
- Non - Thermally broken profiles
- Up to 20mm of glazing thickness
- Insulated glazed options

STANDARD	OPTIONAL	
Motor Type	120Nm / 12 RPM 220VAC/50hz	100Nm / 11 RPM 120VAC/60hz
Retraction Mechanism Type	Direct chain drive, 12.7mm (1/2") chrome plated chain	
Control System	Toggle Switch (Non latching)	Multi Channel Wireless Remote (6, 18, 99 channel) My Nice Automation (BAS) integration.
Closed Door Electromechanical Lock	N/A	Electro Mechanical Latch System (for Door version only)
Safety Sensors	N/A	One pair Photocell Sensor
Input Voltage	220VAC Mono Phase; 50Hz	110VAC Mono Phase; 50Hz
Opening & Closing speed	About 2.2 m/min (7.5' min)	About 2.8 m/min (9.2' min)
Motor Box Size	w x h : 125mm x 125mm (5" x 5")	
Design Options	2 sash 50% opening, 3 sash 66% opening, Available as Window or Door	
Glazing	Standard Glazing: 5mmT+ 10mm + 5mm T (3/16" T+ 3/8" + 3/16" T)	
Structural Fin	Optional: Single or Dual Structural Fin, 70mm or 120mm (2 3/4" or 4 11/16")	
Balustrade Bar	Optional, Windows Only	
Operable Glazed Frame Weight	Up to 190kg (418lbs), for 220VAC	Up to 160kg (352lbs), 110VAC (100Nm)
Maximum Height	4.0 m (157")	
Maximum Width	4.0 m (157")	
Maximum Size	About 10m ² (Based on Standard Glazing, D/W 3 for 110VAC - 100Nm motor)	
Profile Type	Non-thermally broken; Motor box, Sash, Jamb All aluminum 6063-T5 alloy	
System Color	5 RAL colors (7024, 9005, 9010, 9006, 1019)	Other RAL colors / Custom colors

Operation Modes



Standard Dimensions



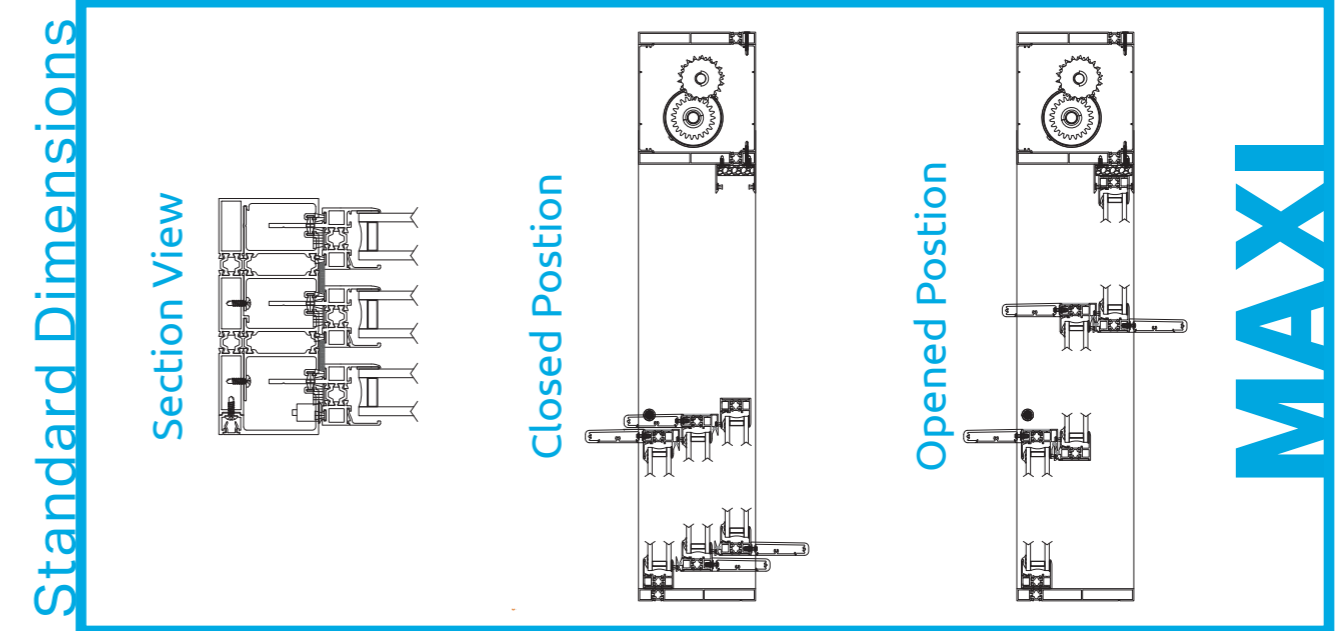
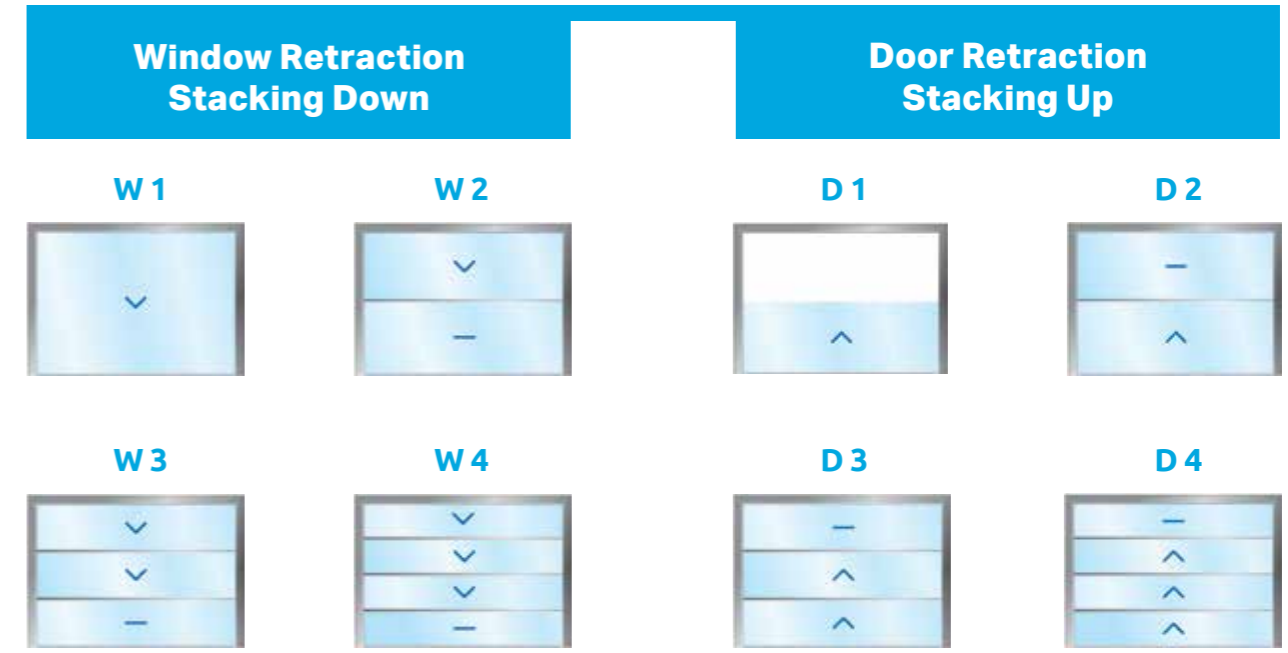
VIEW MAXI GUM STANDARD AND OPTIONAL CLASSIFICATIONS

MECHANICAL&ELECTRICAL

STRUCTURAL

STANDARD	OPTIONAL
<ul style="list-style-type: none"> • Large opening & commercial operation • Thermally broken profiles & frames • Excellent thermal insulation • Up to 32mm of glazing thickness 	
Motor Type	120Nm / 12 RPM 220VAC/50hz, (Ø=59mm)
Retraction Mechanism Type	Gearbox chain drive system (12.7mm (1/2"), chrome plated)
Control System	Single Channel Wireless Remote Control (MC200 Receiver) Multi Channel Wireless Remote (6, 18, 99 channel) My Nice Automation (BAS) integration.
Closed Door Electromechanical Lock	N/A Not required due to lead screw design
Safety Sensors	One pair Photocell Sensor Light Barrier (exterior), Second Pair Photocell Sensor (Infrared Line)
Input Voltage	220VAC Mono Phase; 50Hz
Opening & Closing speed	About 2.8 m/min (9.1' min) About 1.9 m/min, (6.4' min)
Motor Box Size	w x h : 162mm x 183mm (6 3/8" x 7 11/16")
Design Options	1 sash 100% opening, 2 sash 50% opening, 3 sash 66% opening, 4 sash 75% opening. Available as Window or Door
Glazing	Total Insulated glazing up to 32mm (1 17/64")
Structural Fin	Optional: Single or Dual Structural Fin, 70mm or 120mm (2 3/4" or 4 11/16")
Balustrade Bar	Optional, Windows Only
Operable Glazed Frame Weight	Up to 200kg (440lbs) Up to 240kg (529lbs)
Maximum Height	5.0 m (196")
Maximum Width	5.0 m (196")
Maximum Size	About 14m2 (Based on Standard Glazing, D/W 3)
Profile Type	Thermally broken; Motor box, Sash, Jamb All aluminum members are 6063-T5 alloy
System Color	8 RAL colors (8003, 9005, 9010, 1019, 7016, 8014, 9006, 7024) Other RAL colors / Custom colors

Operation Modes



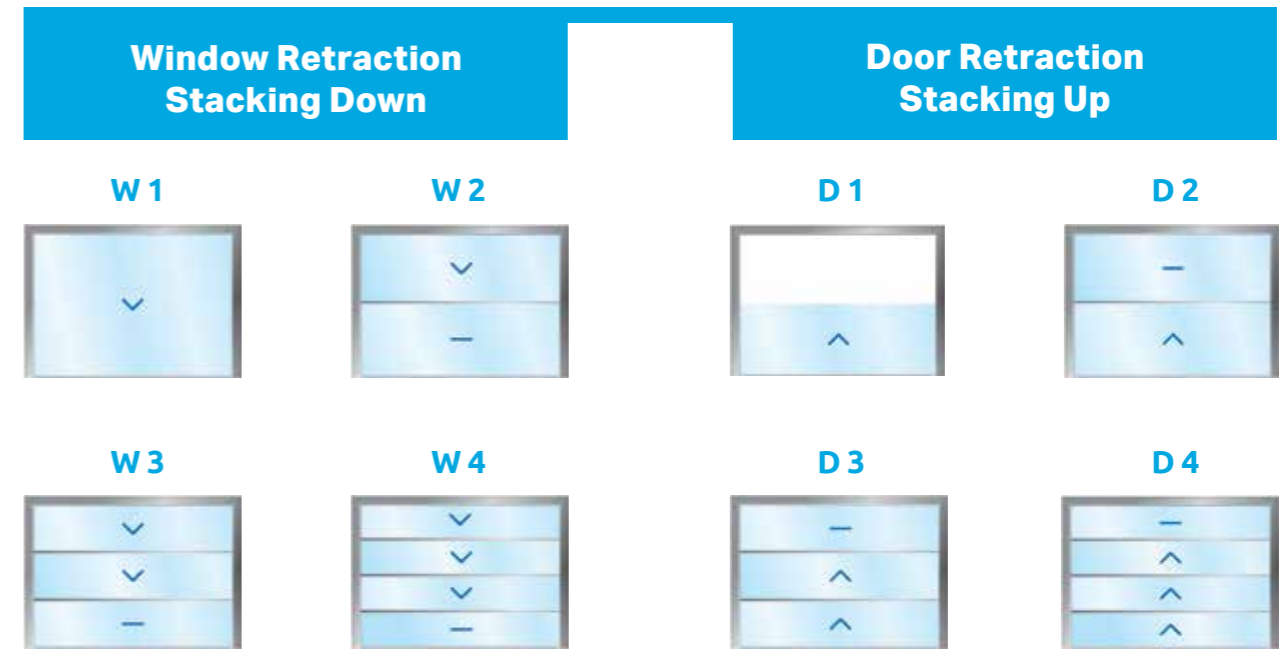
VIEW MAXI+ GUM+ STANDARD AND OPTIONAL CLASSIFICATIONS

MECHANICAL&ELECTRICAL

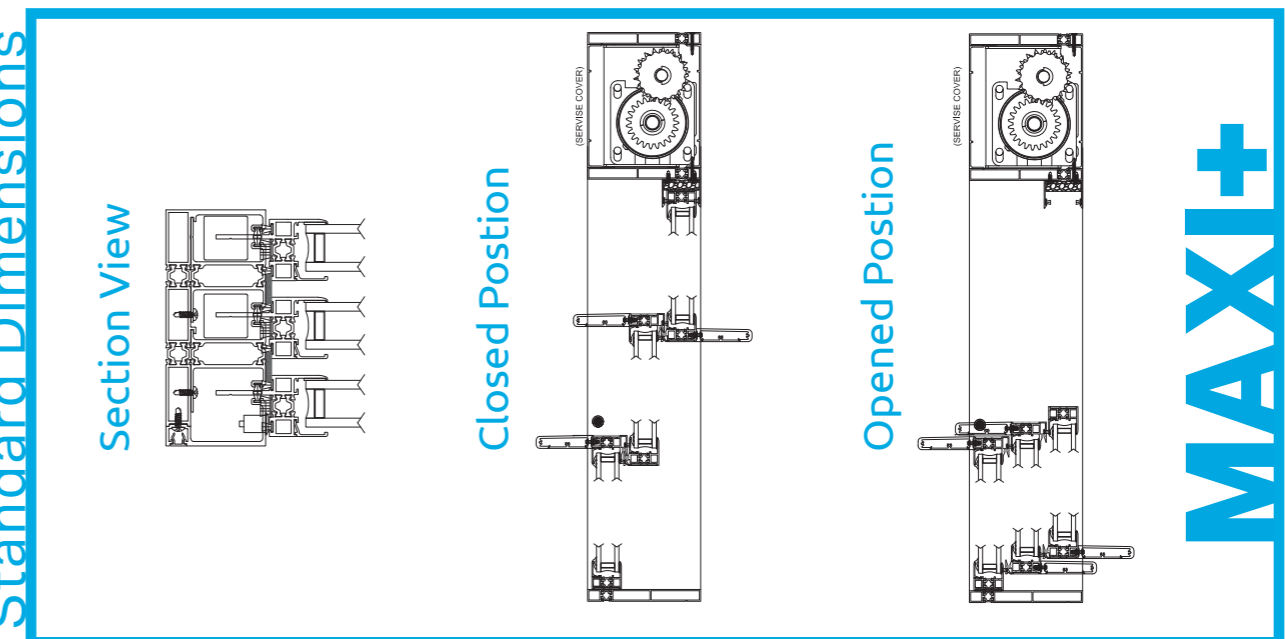
STRUCTURAL

STANDARD	OPTIONAL
<ul style="list-style-type: none"> • Large opening & commercial operation • Thermally broken profiles & frames • Excellent thermal insulation • Up to 32mm of glazing thickness 	
Motor Type	300Nm / 12 RPM 220VAC/50hz (Ø=100mm)
Retraction Mechanism Type	Gearbox chain drive system (12.7mm (1/2")), chrome plated
Control System	Single Channel Wireless Remote Control (MC200 Receiver) / Multi Channel Wireless Remote (6, 18, 99 channel) My Nice Automation (BAS) integration.
Closed Door Electromechanical Lock	N/A / Electro Mechanical Latch System (for Door version only)
Safety Sensors	One pair Photocell Sensor / Light Barrier (exterior), Second Pair Photocell Sensor (Infrared Line)
Input Voltage	220VAC Mono Phase; 50Hz
Opening & Closing speed	About 2.8 m/min (9.1' min) / About 1.9 m/min, (6.4' min)
Motor Box Size	w x h : 162mm x 210mm (6 3/8" x 8 5/16")
Design Options	1 sash 100% opening, 2 sash 50% opening, 3 sash 66% opening, 4 sash 75% opening. Available as Window or Door
Glazing	Total Insulated glazing up to 32mm (1 17/64")
Structural Fin	Optional: Single or Dual Structural Fin, 70mm or 120mm (2 3/4" or 4 11/16")
Balustrade Bar	Optional, Windows Only
Operable Glazed Frame Weight	Up to 530kg (1168lbs) / Up to 610kg (1344lbs)
Maximum Height	6.0m (236")
Maximum Width	6.0m (236")
Maximum Size	About 21m2 (Based on Standard Glazing, D/W 3)
Profile Type	Thermally broken; Motor box, Sash, Jamb All aluminum members are 6063-T5 alloy
System Color	8 RAL colors (8003, 9005, 9010, 1019, 7016, 8014, 9006, 7024) / Other RAL colors / Custom colors

Operation Modes



Standard Dimensions



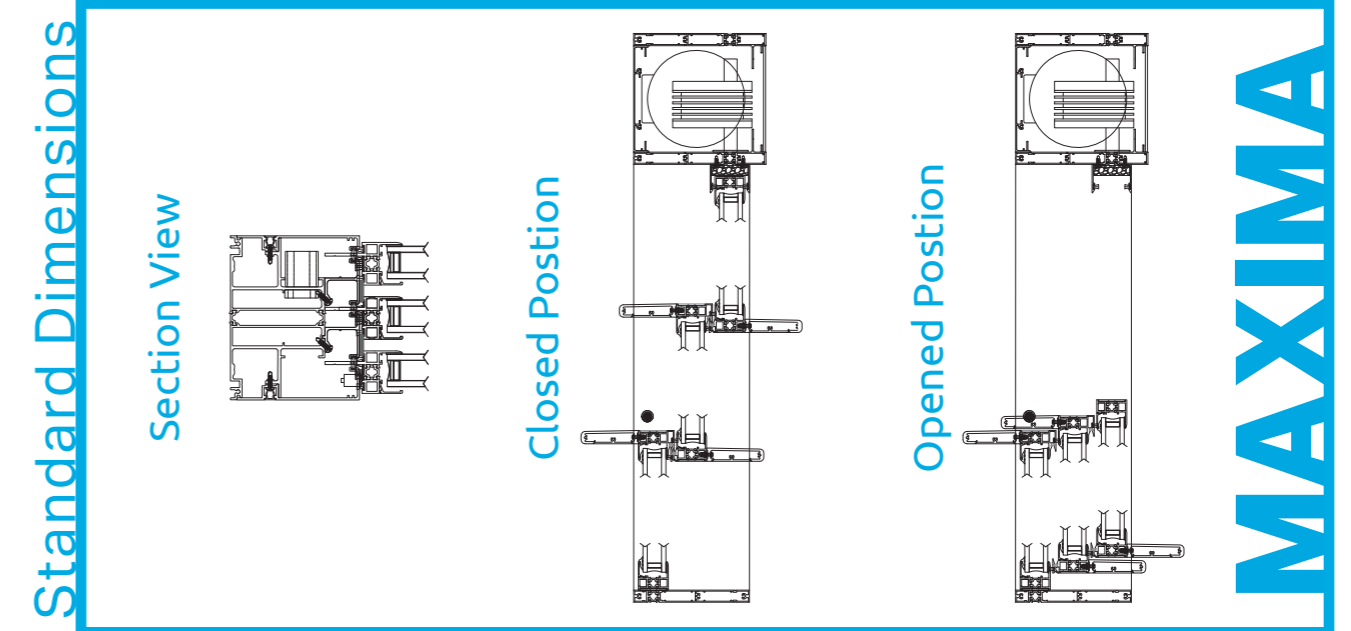
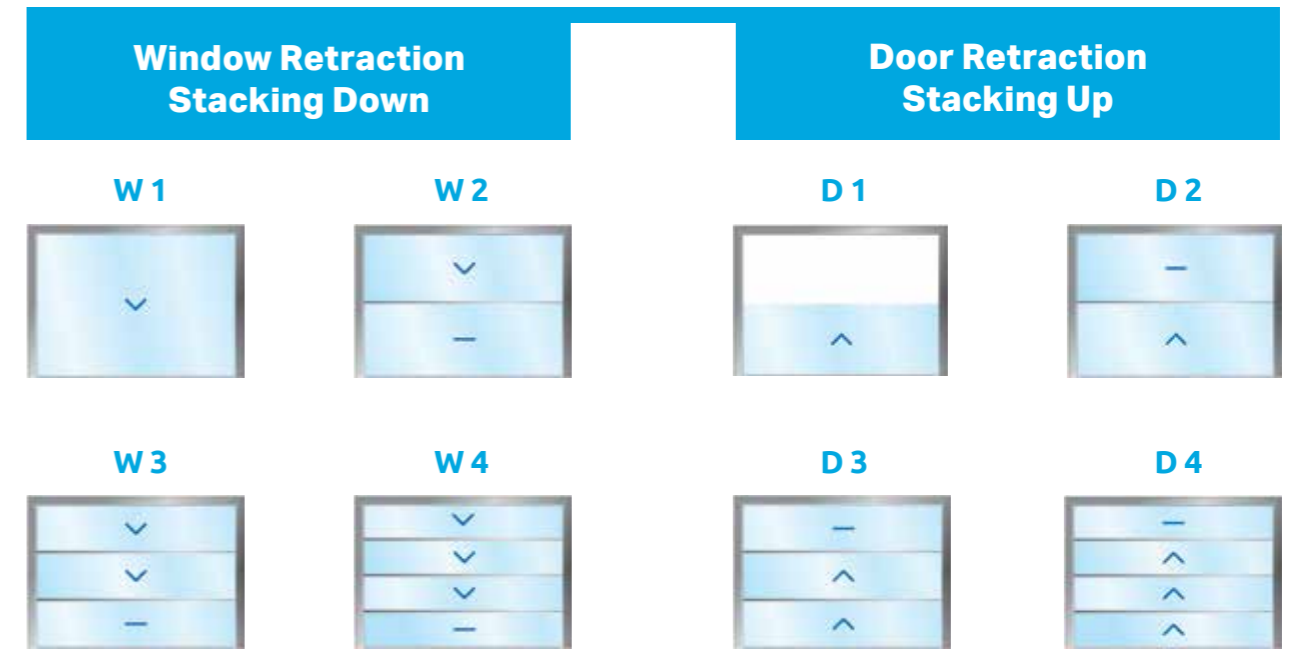
VIEW MAXIMA GUG STANDARD AND OPTIONAL CLASSIFICATIONS

MECHANICAL&ELECTRICAL

STRUCTURAL

STANDARD	OPTIONAL
<ul style="list-style-type: none"> • Large opening & commercial operation • Thermally broken profiles & frames • Excellent thermal insulation • Up to 32mm of glazing thickness 	
Motor Type	0.55kW / 380VAC 3-Phase Motor
Retraction Mechanism Type	Vertical Screw drive from central 3 phase motor through 1:15 reducers
Control System	Vertical Screw drive from central 3 phase motor through 1:25 reducers
Closed Door Electromechanical Lock	Programmable Wall Mounted Rocker SW, Programmable Logic Controller (PLC), 16 I/O, Rain Sensor (Optional), Wireless Remote Control (Optional), Building Automation (BAS) integration (Optional), Dry contact for external opening input (Optional)
Safety Sensors	Not required due to lead screw design
Input Voltage	One pair Photocell Sensor (Infrared Line)
Opening & Closing speed	Light Barrier (exterior), Second Pair Photocell Sensor (Infrared Line)
Motor Box Size	220VAC 50/60Hz (Inverter feed to main motor)
Design Options	110VAC + 110VAC - 50/60Hz (Phase to phase feed, 220VAC)
Glazing	About 1.6 m/min (5.3' min)
Structural Fin	About 1 m/min, (3.3' min)
Balustrade Bar	w x h: 185mm x 183mm (7 1/4" x 7 11/16")
Operable Glazed Frame Weight	1 sash 100% opening, 2 sash 50% opening, 3 sash 66% opening, 4 sash 75% opening. Available as Window or Door
Maximum Height	Total Insulated glazing up to 32mm (1 11/16")
Maximum Width	Optional: Single or Dual Structural Fin, 70mm or 120mm (2 3/4" or 4 11/16")
Maximum Size	Optional, Windows Only
Profile Type	Up to 450kg (992lbs)
System Color	Up to 700kg (1543lbs)
	6.0m (236")
	6.0m (236")
	About 22m ² (For standard Glazing, D/W 3)
	About 33m ² (for standard Glazing, D/W 3)
	Thermally broken; Motor box, Sash, Jamb All aluminum members are 6063-T5 alloy
	8 RAL colors (8003, 9005, 9010, 1019, 7016, 8014, 9006, 7024)
	Other RAL colors / Custom colors

Operation Modes



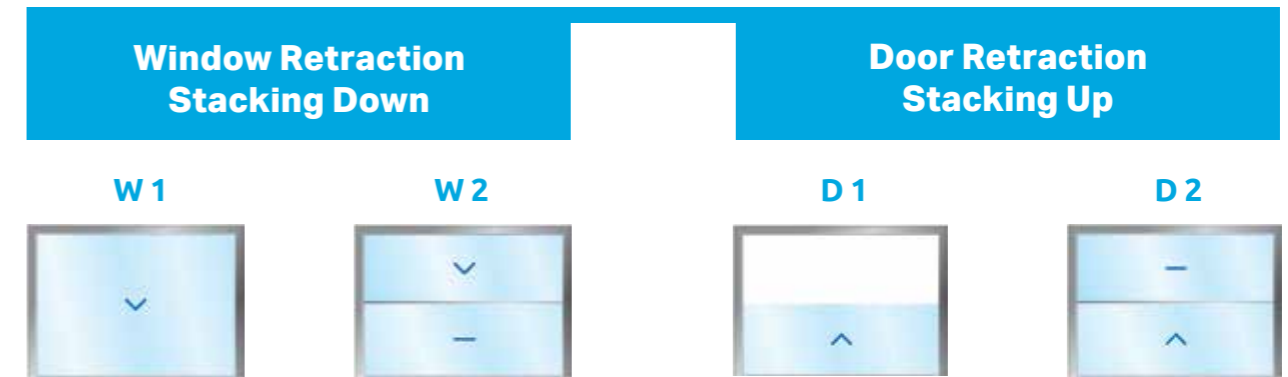
VIEW FAÇADE GUF STANDARD AND OPTIONAL CLASSIFICATIONS

MECHANICAL&ELECTRICAL

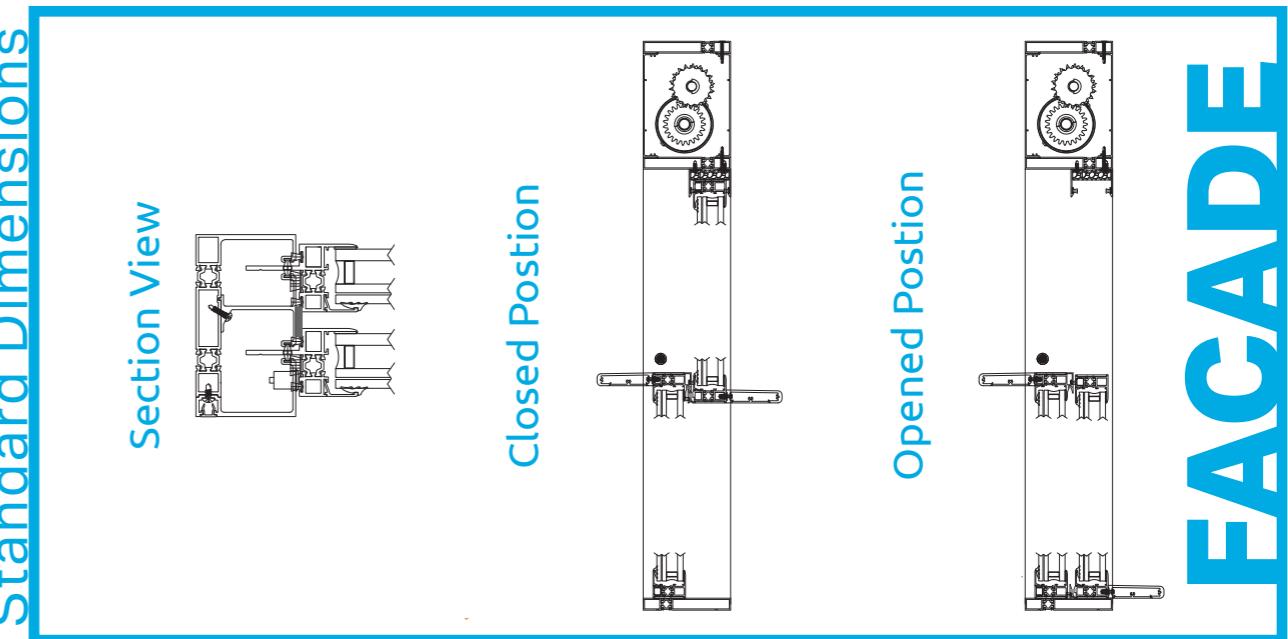
STRUCTURAL

STANDARD	OPTIONAL
<ul style="list-style-type: none"> • Intergration with Curtian walls • Thermally broken profiles & frames • Excellent thermal insulation, Façade Performance • Up to 38mm of glazing thickness 	
Motor Type	120Nm / 12 RPM 220VAC/50hz, (Ø=59mm)
Retraction Mechanism Type	Gearbox chain drive system (12.7mm (1/2"), chrome plated)
Control System	Toggle Switch (Non latching) / Multi Channel Wireless Remote (6, 18, 99 channel) / My Nice Automation (BAS) integration.
Closed Door Electromechanical Lock	N/A
Safety Sensors	N/A
Input Voltage	220VAC Mono Phase; 50Hz
Opening & Closing speed	About 2.1 m/min (6.7 min) / About 1.5 m/min, (5.0' min)
Motor Box Size	w x h: 125mm x 183mm (5" x 7 1/4")
Design Options	1 sash 100% opening, 2 sash 50% opening, Available as Window or Door
Glazing	Total Insulated glazing up to 38mm (1 1/2")
Structural Fin	Optional: Single or Dual Structural Fin, 70mm or 120mm (2 3/4" or 4 11/16")
Balustrade Bar	Optional, Windows Only
Operable Glazed Frame Weight	Up to 180kg (396lbs) / Up to 210kg (462lbs)
Maximum Height	6.0 m (236")
Maximum Width	4.0 m (157")
Maximum Size	About 8.5m2 (Based on Standard Glazing, W 2)
Profile Type	Thermally broken; Motor box, Sash, Jamb All aluminum members are 6063-T5 alloy
System Color	8 RAL colors (7024, 9005, 9010, 9006, 1019) / Other RAL colors / Custom colors

Operation Modes



Standard Dimensions





panorasytems.com

sales@panorasytems.com