

ACOUSTI-CLEAR® DEMOUNTABLE SERIES TECHNICAL DATA

- Demountable partition system
- Acoustically rated demountable glass wall system up to 51 STC
- Flexible office front solution
- Floor supported system
- Variety of layout configurations available
- Custom glass and RAL powder coating color options

Modernfold Model

Acousti-Clear® Demountable

Relocatable, Flat Panels

This specification along with product information and model details can be downloaded from www.modernfold.com

SPECIFICATION - SECTION 10 22 19 (10615) DEMOUNTABLE PARTITIONS

PART 1 - GENERAL

1.1 RELATED DOCUMENTS

A. Drawings and general provisions of the Contract, including General and Supplementary Conditions and Division 01 Specification Sections, apply to this Section.

1.2 SUMMARY

A. Section Includes:

1. Section includes fixed, framed glass panel partitions with swinging glass doors.

B. Related Sections include the following:

1. Division 03 Sections for concrete tolerances required.
2. Division 06 Sections for wood framing and supports, and all blocking at head and jambs as required.
3. Division 08 Sections for doors, hardware and glazing.
4. Division 09 Sections for wall and ceiling framing at head and jambs.

1.3 QUALITY ASSURANCE

A. Installer Qualifications: An experienced installer who is certified in writing by the demountable partition manufacturer, as qualified to install the manufacturer's partition systems for work similar in material, design, and extent to that indicated for this Project.

B. Acoustical Performance: Test operable partitions in an independent acoustical laboratory in accordance with ASTM E90 test procedure and classified in accordance with ASTM E413 to attain no less than the STC rating specified. Provide a complete and unedited written test report upon request.

C. Single Source Responsibility: Provide glass panel partitions and associated hardware by a single manufacturer through a single source.

D. Coordination of Work: Coordinate layout and installation of demountable partition components with other units of Work. Installation of ceilings, floor coverings, lighting fixtures, HVAC equipment, and fire-suppression systems should be completed before demountable partitions are installed.

- E. Coordinate installation of demountable partition with installation of floor, wall and ceiling construction to comply with substrate tolerance requirements of partition manufacturer.
- F. Do not begin installation until permanent HVAC systems are properly operating and building and temperature and humidity have stabilized.
- G. The demountable wall must be manufactured by a certified ISO-9001-2015 company or an equivalent quality control system.

1.4 REFERENCE STANDARDS

A. ASTM International

1. ASTM E557 Standard Practice for Architectural Application and Installation of Operable Partitions.
2. ASTM E90 - Standard Test Method for Laboratory Measurement of Airborne Sound Transmission Loss of Building Partitions and Elements.
3. ASTM C1036 - Standard Specification for Flat Glass.
4. ASTM C1048 - Heat-Treated Flat Glass—Kind HS, Kind FT Coated and Uncoated Glass.
5. ASTM E84 - Surface Burning Characteristics of Building Materials.
6. ASTM E413 - Classification for Rating Sound Insulation

B. Health Product Declaration Collaborative

1. Health Product Declaration Open Standard v2.1

C. International Standards Organization

1. ISO 14021 - Environmental Labels and Declarations - Self-Declared Environmental Claims (Type II Environmental Labeling).
2. ISO 14025:2011-10, Environmental Labels and Declarations - Type III Environmental Declarations - Principles and Procedures.
3. ISO 14040:2009-11, Environmental Management - Life Cycle Assessment - Principles and Framework.
4. ISO 14044:2006-10, Environmental Management - Life Cycle Assessment - Requirements and Guidelines.
5. ISO 21930 - Sustainability in Buildings and Civil Engineering Works — Core Rules for Environmental Product Declarations of Construction Products and Services.

ACOUSTI-CLEAR® DEMOUNTABLE SERIES TECHNICAL DATA

D. Other Standards

1. ADA – Americans with Disabilities Act.
2. ANSI Z97.1 - Safety Glazing Materials Used in Buildings.
3. CPSC 16 CFR 1201 - Safety Standard for Architectural Glazing Materials.
4. NEMA LD3 - High Pressure Decorative Laminates.

1.5 SUBMITTALS

- A. Product Data: Material descriptions, construction details, finishes, installation details, and operating instructions for each type of demountable partition, component, and accessory specified.
- B. Shop Drawings: Show location and extent of demountable partitions. Include plans, elevations, sections, details, attachments to other construction, and accessories. Indicate blocking to be provided by others.
- C. Setting Drawings: Show imbedded items and cutouts required in other work, including support beam punching template.
- D. Samples: Color samples demonstrating full range of finishes available by architect. Verification samples will be available in same thickness and material indicated for the work.
- E. Reports: Provide a complete and unedited written sound test report indicating glass thickness and spacing in test specimen matches product as submitted.
- F. Create spaces that are healthy for occupants.
 1. Furnish products and materials with Health Product Declaration (HPD), Manufacturer Inventory, or other material health disclosure documentation. Products without an HPD or other disclosure documentation are not acceptable.
- G. Furnish materials that generate the least amount of pollution.
 1. Furnish products and materials that have third party verified environmental product declarations (EPD's). Consider products and materials that have optimized environmental performance (reduced life cycle impacts). Products without an EPD or other disclosure documentation are not acceptable.
- H. Buy American: Operable partition to be manufactured in the United States in compliance with applicable U.S. Federal Trade Commission (FTC) and U.S. Customs Service and Border Protections regulations and be labeled "Made in America".

1.6 DELIVERY, STORAGE, AND HANDLING

- A. Clearly mark packages and panels with numbering systems used on Shop Drawings. Do not use permanent markings on panels.
- B. Protect panels during delivery, storage, and handling to comply with manufacturer's direction

and as required to prevent damage.

- C. Environmental Limitations: Do not deliver or install demountable partition components until building is enclosed and finishing operations, including ceiling and floor-covering installation and painting, are complete.

1.7 WARRANTY

- A. Provide written warranty by manufacturer of demountable partitions agreeing to repair or replace any components with manufacturing defects.
- B. Provide installation manual detailing methods to move, reuse and adjust demountable product.
- C. Warranty period: Two (2) years.

PART 2 – PRODUCTS

2.1 MANUFACTURERS, PRODUCTS, AND OPERATION

- A. Manufacturers: Subject to compliance with requirements, provide product by the following:
 1. Modernfold, Inc.
- B. Panels to be manufactured in the U.S.A.
- C. Products: Subject to compliance with requirements, provide the following product:
 1. Acousti-Clear Demountable – unitized panel partition.

2.2 PANEL CONSTRUCTION

- A. Glass Panels
 1. Type: Acousti-Clear Demountable – Glass Panel.
 2. Nominal 4-inch (100 mm) thick panels in manufacturer's standard 48-inch (1220 mm) widths. All panel horizontal and vertical framing members shall be fabricated from aluminum extrusions and mechanically fastened. Frame shall be designed to minimize exposure on face of panels.
 3. Panel Faces:
 - a. 5/16-inch (8 mm) clear glass on one face, mechanically fastened and sealed in frame.
 - b. 3/8-inch (9.5 mm) clear glass on one face, mechanically fastened and sealed in frame.
 - c. Glass Type: Tempered, complying with ASTM C1036, ASTM C1048, CPSC 16 CFR 1201 Categories 1 & 2, and ANSI Z97.1.
 4. Glass Finish (select one):
 - a. Clear tempered
 - b. Low-iron tempered
 - c. Frosted tempered
 - d. Clear tempered – high STC
 - e. Low-iron tempered – high STC
 - f. Frosted tempered – high STC
 5. Panel Trim: Pre-finished aluminum to protect edge of glass in one of the following finishes (select one):

ACOUSTI-CLEAR® DEMOUNTABLE SERIES TECHNICAL DATA

- a. Clear Anodized
- b. Satin Stainless Anodized
- c. White Powder Coat (RAL 9016)
- d. Black Powder Coat (RAL 9004)
- e. RAL "Classic" (Solids collection) Powder Coat available (Sherwin Williams' Powdura Super Durable TGIC Free Polyesters) provided in one of the following (select one):
 - 1. Gloss finish (80°-85° gloss)
 - 2. Satin finish (30° gloss)
- 6. Acoustical ratings of panels with this construction achieve Sound Transmission Class of (see below) minimum STC when tested in accordance with ASTM E90 and classified in accordance with ASTM E413 (select one):
 - a. 45 STC
 - b. 51 STC
- B. Solid (Non-Glass) Panels:
 - 1. Type: Acousti-Clear Demountable – Solid Panel.
 - 2. Nominal 4-inch (100 mm) thick panels in manufacturer's standard 48-inch (1220 mm) widths. All panel horizontal and vertical framing members shall be fabricated from aluminum extrusions and mechanically fastened. Frame shall be designed to minimize exposure on face of panels.
 - 3. Panel Faces: 3/8-inch (9.5 mm) thick medium density fiberboard, mechanically fastened and sealed in frame.
 - 4. Panel Finishes:
 - a. High pressure plastic laminate on MDF board.
 - b. Wood veneer on MDF board.
 - c. Full height steel or laminate markerboard.
 - 5. Panel Trim: Pre-finished aluminum to protect edge of panel in one of the following finishes (select one):
 - a. Clear Anodized
 - b. Satin Stainless Anodized
 - c. White Powder Coat (RAL 9016)
 - d. Black Powder Coat (RAL 9004)
 - e. RAL "Classic" (Solids collection) Powder Coat available (Sherwin Williams' Powdura Super Durable TGIC Free Polyesters) provided in one of the following (select one):
 - 1. Gloss finish (80°-85° gloss)
 - 2. Satin finish (30° gloss)
 - 6. Acoustical ratings of panels with this construction achieve Sound Transmission Class of 50 minimum STC when tested in accordance with ASTM E90 and classified in accordance with ASTM E413.
- C. Panel Weights:
 - 1. Glass Panel
 - a. 45 STC – 10 lbs./square foot
 - b. 51 STC – 11.5 lbs./square foot
 - 2. Solid Panel
 - a. 50 STC – 10 lbs./square foot

2.3 SOUND SEALS

- A. Vertical Interlocking Sound Seals between panels: Extruded aluminum astragals with interlocking convex/concave resilient quad-lip gaskets. Rigid plastic astragals or astragals with gaskets on only one panel edge are not acceptable.
- B. Horizontal Top and Bottom Seals shall be adjustable seals providing 7/8-inch (22 mm) clearance with a range of +9/16-inch (14 mm) to -3/8-inch (9.5 mm). Fixed (non-adjusting) seals at top or bottom of panels are not acceptable.

2.4 OPTIONS

- A. Pivot Panel (Glass Panel or Solid Panel)
 - 1. Hardware – Satin Stainless-Steel Finish (select one):
 - a. Non-locking Lever (Handle mounted in vertical rail not acceptable)
 - b. Locking Lever (Handle mounted in vertical rail not acceptable)
 - c. Non-locking Rail Handle
 - d. Locking Rail Handle
- B. Available Accessories/Options:
 - 1. Horizontal mullions
 - a. Prefinished aluminum to match trim finish.
 - b. Same appearance and thickness as panel frame/trim.
 - c. Plastic mullions are not acceptable.
 - d. Mullions attached directly to the glass or panel face are not acceptable.
 - 2. Intersecting partition interface (select one):
 - a. "L" Post
 - b. "T" Post
 - c. "X" Post

PART 3 – EXECUTION

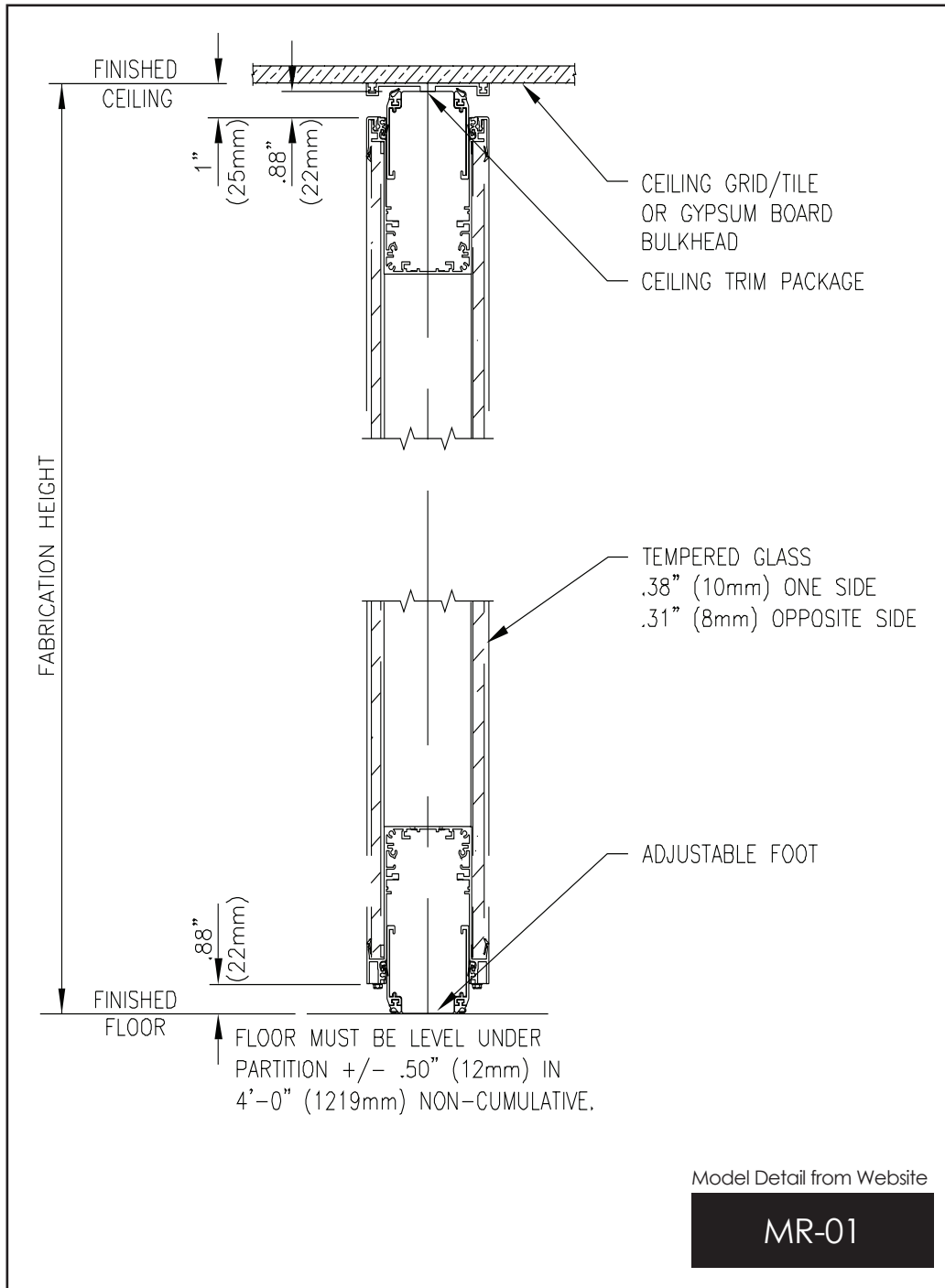
3.1 INSTALLATION

- A. General: Comply with demountable partition manufacturer's written installation instructions, Drawings and approved Shop Drawings.
- B. Install demountable partition systems rigid, level, plumb, and aligned. Install seals to prevent light and sound transmission at connections to floors, ceilings, fixed walls, and abutting surfaces.
- C. Match demountable partitions by installing panels from marked packages in numbered sequence indicated on Shop Drawings.
- D. Broken, cracked, chipped, deformed or unmatched panels are not acceptable.

3.2 DEMONSTRATION

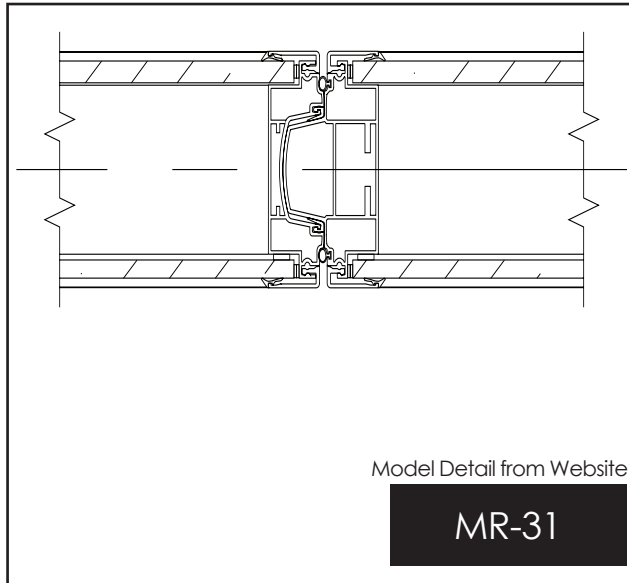
- A. Demonstrate proper operation and maintenance procedures to Owner's representative.
- B. Provide Operation and Maintenance Manual to Owner's representative.

ACOUSTI-CLEAR® DEMOUNTABLE SERIES TECHNICAL DATA PANEL CROSS SECTIONS

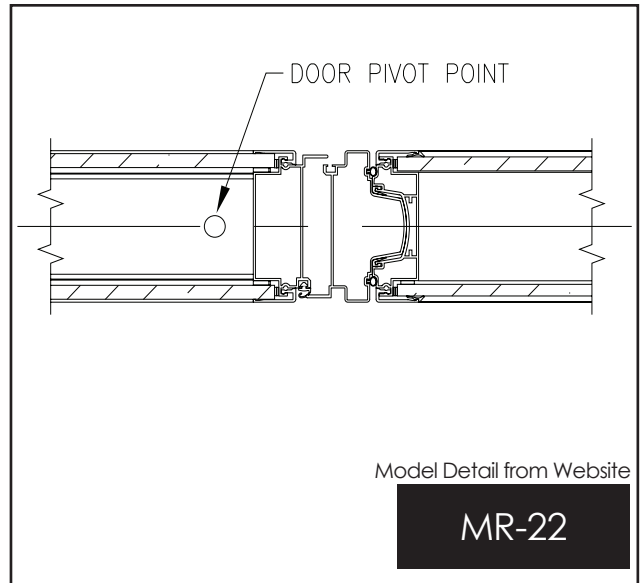


ACOUSTI-CLEAR® DEMOUNTABLE SERIES TECHNICAL DATA PANEL CROSS SECTIONS

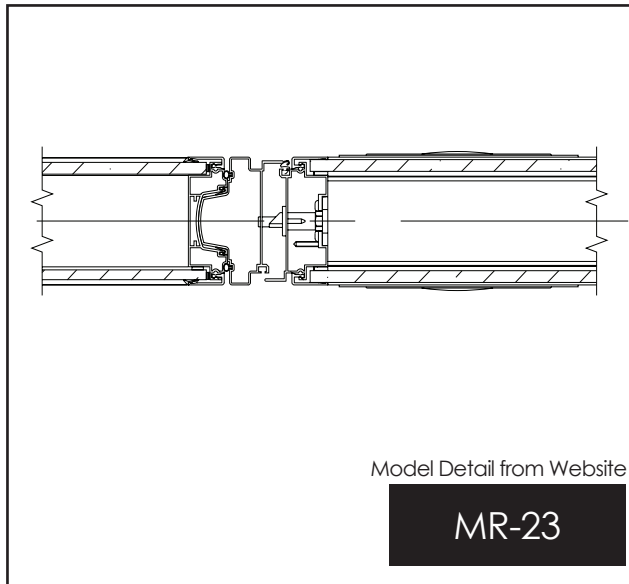
Standard Panel Joint



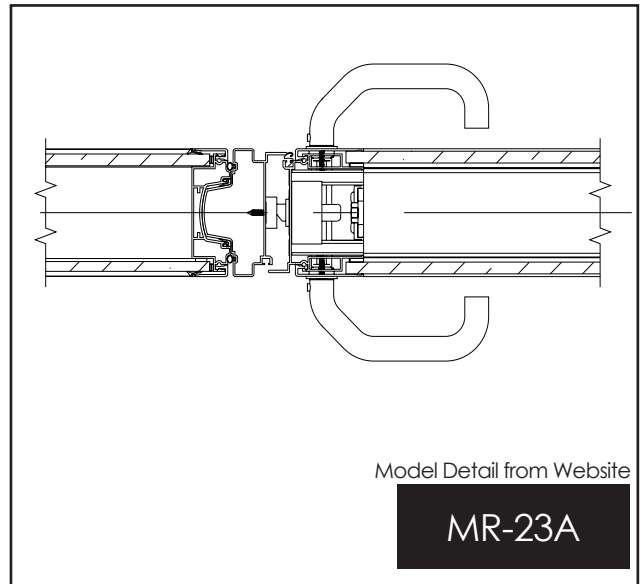
Pivot Jamb Detail



Pivot Strike Detail

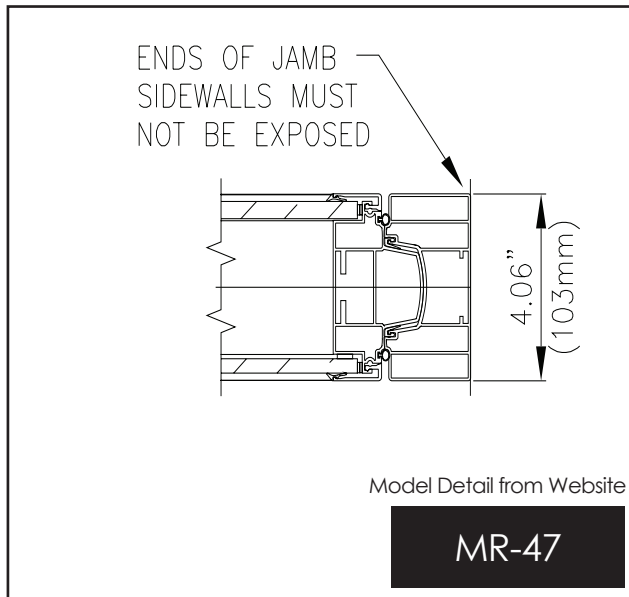


Rail Handle Detail

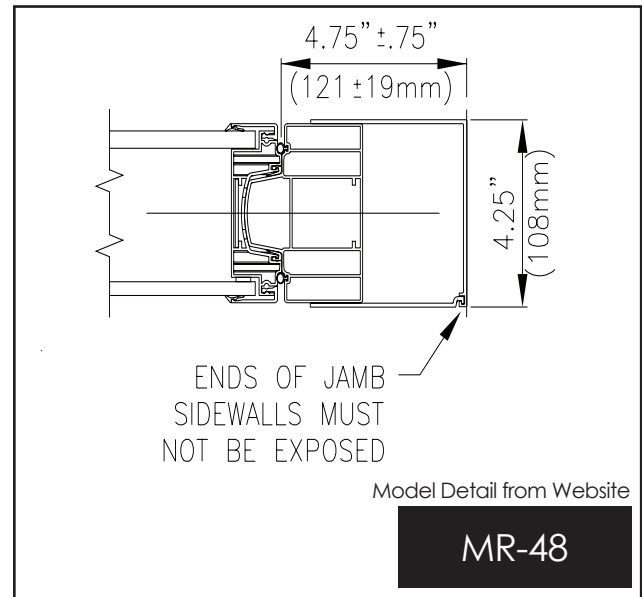


ACOUSTI-CLEAR® DEMOUNTABLE SERIES TECHNICAL DATA PANEL CROSS SECTIONS

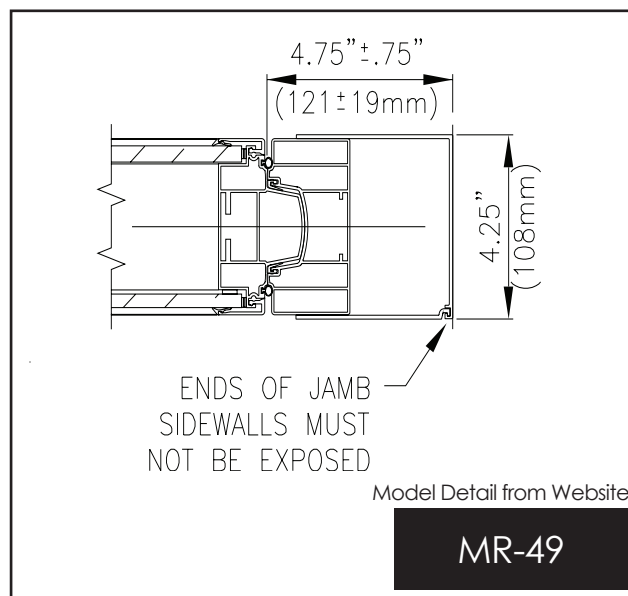
Fixed Jamb



Adjustable Jamb (Male)

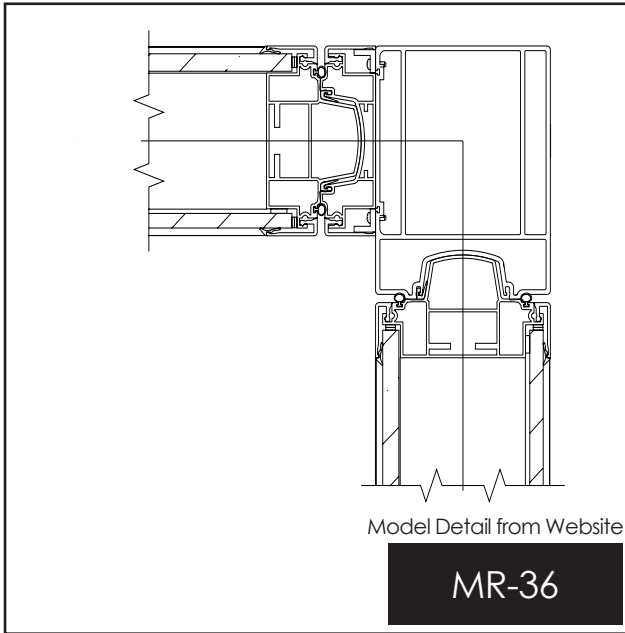


Adjustable Jamb (Female)

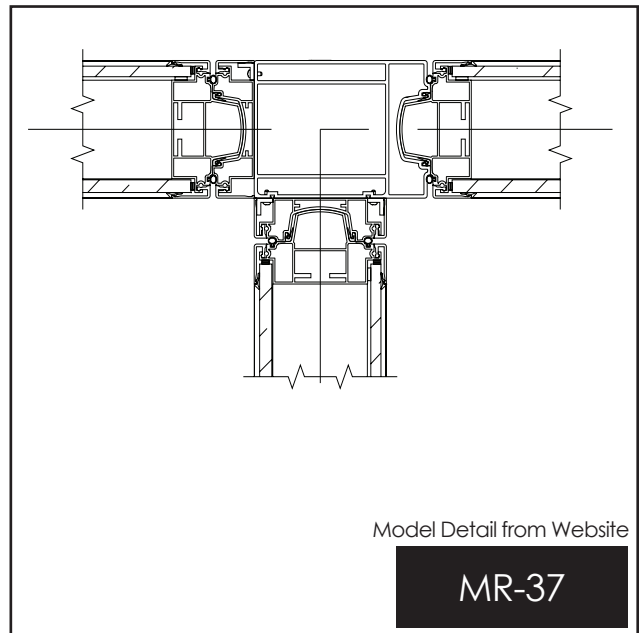


ACOUSTI-CLEAR® DEMOUNTABLE SERIES TECHNICAL DATA PANEL CROSS SECTIONS

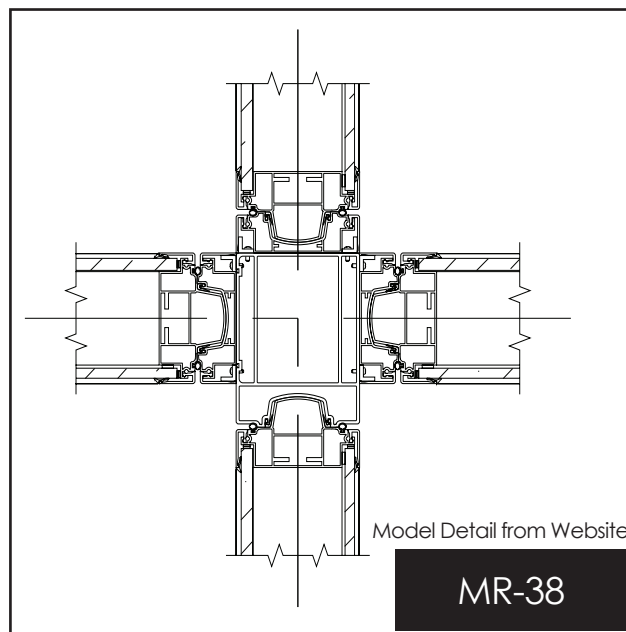
Intersecting Partition
"L" Post



Intersecting Partition
"T" Post



Intersecting Partition
"X" Post





**215 West New Road
Greenfield, IN 46140**

Tel: 800.869.9685

**Email: info@modernfold.com
Website: www.modernfold.com**