

Soundmaster® & Modernfold® TECHNICAL DATA

- Accordion Partitions Provide Effortless Operation
- Variety of finish options
- Straight and curved configurations
- Used in a variety of settings where quick and easy space division is needed,

Modernfold Model

Soundmaster® & Modernfold®

Accordion Folding Doors

This specification along with product information and model details can be downloaded from www.modernfold.com
SPECIFICATION - SECTION 08 35 13 ACCORDION FOLDING DOORS

PART 1 - GENERAL

1.1 RELATED DOCUMENTS

A. Drawings and general provisions of the Contract including General and Supplementary Conditions and Division 01 Specification Sections, apply to this Section.

1.2 SUMMARY

- A. This Section includes the following:
1. Furnish and install accordion folding partitions as indicated in drawings.
- B. Related Sections include the following:
1. Division 03 Sections for concrete tolerances required.
 2. Division 05 Sections for primary structural support, including pre-punching of support members by structural steel supplier per partition supplier's template.
 3. Division 06 Sections for wood framing and supports, and all blocking at head and jambs as required.
 4. Division 09 Sections for wall and ceiling framing at head and jambs.

1.3 QUALITY ASSURANCE

- A. Installer Qualifications: An experienced installer who is certified in writing by the partition manufacturer, as qualified to install the manufacturer's partition systems for work similar in material, design, and extent to that indicated for this Project.
- B. Preparation of the opening shall conform to the dimensions specified, plumb, level, and in accordance to building practices.
- C. Acoustical Performance: Test partitions in an independent acoustical laboratory in accordance with ASTM E90 test procedure and classified in accordance with ASTM E413 to attain no less than the STC rating specified. Provide a complete and unedited written test report by the

testing laboratory upon request.

- D. The folding partition must be manufactured by a certified ISO-9001-2015 company or an equivalent quality control system.

1.4 REFERENCE STANDARDS

- A. ASTM International
1. ASTM E557 Standard Practice for Architectural Application and Installation of Operable Partitions.
 2. ASTM E90 - Standard Test Method for Laboratory Measurement of Airborne Sound Transmission Loss of Building Partitions and Elements.
 3. ASTM E84 - Surface Burning Characteristics of Building Materials.
 4. ASTM E413 - Classification for Rating Sound Insulation
- B. International Standards Organization
1. ISO 14021 - Environmental Labels and Declarations - Self-Declared Environmental Claims (Type II Environmental Labeling).
 2. ISO 14025:2011-10, Environmental Labels and Declarations - Type III Environmental Declarations - Principles and Procedures.
 3. ISO 14040:2009-11, Environmental Management - Life Cycle Assessment - Principles and Framework.
 4. ISO 14044:2006-10, Environmental Management - Life Cycle Assessment - Requirements and Guidelines.
 5. ISO 21930 - Sustainability in Buildings and Civil Engineering Works — Core Rules for Environmental Product Declarations of Construction Products and Services.

1.5 SUBMITTALS

- A. Product Data: Material descriptions, construction details, finishes, installation details, and operating instructions for each type of partition, component, and accessory specified.

Soundmaster® & Modernfold® TECHNICAL DATA

- B. Shop Drawings: Show location and extent of partitions. Include plans, elevations, sections, details, attachments to other construction, and accessories. Indicate dimensions, weights, conditions at openings, and at storage areas, and required installation, storage, and operating clearances. Indicate location and installation requirements for hardware and track, including floor tolerances required and direction of travel. Indicate blocking to be provided by others.
- C. Setting Drawings: Show imbedded items and cutouts required in other work, including support beam punching template.
- D. Samples: Color samples demonstrating full range of finishes available by architect. Verification samples will be available in same thickness and material indicated for the work.
- E. Furnish materials that generate the least amount of pollution.
 - 1. Furnish products and materials that have third party verified environmental product declarations (EPD's). Consider products and materials that have optimized environmental performance (reduced life cycle impacts). Products without an EPD or other disclosure documentation are not acceptable.

1.6 DELIVERY, STORAGE, AND HANDLING

- A. Clearly mark packages and partitions with numbering systems used on Shop Drawings. Do not use permanent markings on partitions.
- B. Protect partitions during delivery, storage, and handling to comply with manufacturer's direction and as required to prevent damage.

1.7 WARRANTY

- A. Provide written warranty by manufacturer of partitions agreeing to repair or replace any components with manufacturing defects.
- B. Warranty period: Two (2) years.

PART 2 – PRODUCTS (SOUNDMASTER)

2.1 MANUFACTURERS, PRODUCTS, AND OPERATION

- A. Manufacturers: Subject to compliance with requirements, provide product by the following:
 - 1. Modernfold, Inc.
- B. Products: Subject to compliance with the requirements, provide the following product:
 - 1. Soundmaster #8 Accordion Folding Partition.
 - 2. Soundmaster #12 Accordion Folding Partition.

2.2 OPERATION

- A. Soundmaster #8: Manually operated, top supported, accordion folding.
- B. Soundmaster #12: Manually operated, top supported, accordion folding.

2.3 CONSTRUCTION

- A. Shall consist of steel hinge plates welded to 3/16-inch (5mm) diameter vertical steel rods, with a single row of plates at the bottom and top with intermediate rows at approximately 42-inch (1067mm) on center. Partitions 10'-0" (3048mm) high or over have a double row of hinge plates at the top. A high tensile alloy steel trolley yoke, functioning as a hinge pin at required intervals, supports the frame assembly.
- B. Sound Transmission Class: Laboratory acoustical performance of the folding partition shall have been tested in an independent acoustical laboratory, in accordance with ASTM E90 test procedure, classified in accordance with ASTM E413 and shall have attained an STC rating of no less than:
 - 1. Soundmaster 8 – 39 STC
 - 2. Soundmaster 12 – 40 STC

2.4 PARTITION FINISHES

- A. Finish: Face finish shall be (select as required):
 - 1. Reinforced heavy-duty vinyl with woven backing weighing not less than 30 ounces per lineal yard.
 - 2. Acoustical, non-woven needle punch carpet, with fused fibers to prevent unraveling or fray of material.
 - 3. Wall covering and upholstery fabric with surface treatment to resist stains.
 - 4. Customer's own material (subject to factory approval).
- B. Partition Trim: Exposed sweep strips of one consistent color.

2.5 SOUND SEALS

- A. Shall be pairs of three-layer flexible sweep strips at top and bottom. Vertical female sound channel shall be polyurethane foam lined.
- B. Sound Insulation: 24-gage, V-grooved steel panels and heavy duty flame resistant acoustical membrane. Each panel attaches to the frame with steel leaf fasteners.
- C. Pairs of Flexible Sweep Strips: Shall be provided at top and bottom of the partition. Air release for air trapped within the folding partition shall be accomplished during operation by a series of 3/8-inch (9.5mm) diameter holes through the lead post molding.

2.6 HARDWARE

- A. Grip type hand pulls shall be die-cast zinc, satin chrome finish. Extruded aluminum or plastic hand pulls will not be accepted.

2.7 SUSPENSION SYSTEM

- A. #5 (Soundmaster 8 only), #6, or #7 Suspension System, track and trolley sizes matched to the size

Soundmaster® & Modernfold® TECHNICAL DATA

of the partition.

1. Suspension Tracks: Shall be of a continuous "C" channel shaped track, connected to the structural support.
2. Carriers: The accordion folding partition shall be suspended from the track by two-wheel intermediate and four-wheel lead trolley assemblies.

2.8 OPTIONS

- A. Electrical Operation: Electrically operated Soundmaster 8 and Soundmaster 12 shall be operated in 11-gage steel track with flanged steel ball bearing trolleys. Drive mechanism shall be roller chain type. All auxiliary equipment for electrical operation including track with integral chain guides, roller chain, drive unit and motor key operated control, overload safety device, and drive sprocket assemblies shall be supplied by partition manufacturer. Power supply circuits, wiring, and electrical connection shall be work by the electrical contractor.
- B. Jamb-Lock: Back post to be secured to the wall by the "Jamb-Lock" mechanism concealed within the back post to provide a quick means of releasing and reattaching the partition for cleaning and decorative purposes.
- C. Locks: Satin chrome hand pulls with (select) manufacturer's standard locks or master-keyed locks. Master-keyed cylinders furnished by others. Locks shall be an integral part of the pull; Manually Operated Partitions Only.

PART 2 – PRODUCTS (MODERNFOLD)

2.1 MANUFACTURERS, PRODUCTS, AND OPERATION

- A. Manufacturers: Subject to compliance with requirements, provide product by the following:
 1. Modernfold, Inc.
- B. Products: Subject to compliance with the requirements, provide the following product:
 1. Modernfold #800 Accordion Folding Partition.
 2. Modernfold #1200 Accordion Folding Partition.

2.2 OPERATION

- A. Modernfold #800: Manually operated, top supported, accordion folding.
- B. Modernfold #1200: Manually operated, top supported, accordion folding.

2.3 CONSTRUCTION

- A. Shall consist of steel hinge plates welded to 3/16-inch (5mm) diameter vertical steel rods, with a single row of plates at the bottom and top with intermediate rows at approximately 42-inch (1067mm) on center. Partitions 13'-0" (3048mm)

high or over have a double row of hinge plates at the top. A high tensile alloy steel trolley yoke, functioning as a hinge pin at required intervals, supports the frame assembly.

2.4 PARTITION FINISHES

- A. Finish: Face finish shall be (select as required):
 1. Reinforced heavy-duty vinyl with woven backing weighing not less than 30 ounces per lineal yard.
 2. Acoustical, non-woven needle punch carpet, with fused fibers to prevent unraveling or fray of material.
 3. Wall covering and upholstery fabric with surface treatment to resist stains.
 4. Customer's own material (subject to factory approval).
- B. Partition Trim: Exposed sweep strips of one consistent color.

2.5 HARDWARE

- A. Grip type hand pulls shall be die-cast zinc, satin chrome finish. Extruded aluminum or plastic hand pulls will not be accepted.

2.6 SUSPENSION SYSTEM

- A. #5 (Modernfold 800 only), #6, or #7 Suspension System, track and trolley sizes matched to the size of the partition.
 1. Suspension Tracks: Shall be of a continuous "C" channel shaped track, connected to the structural support.
 2. Carriers: The accordion folding partition shall be suspended from the track by two-wheel intermediate and four-wheel lead trolley assemblies.

2.7 OPTIONS

- A. Electrical Operation: Electrically operated Modernfold 800 and Modernfold 1200 shall be operated in 11-gage steel track with flanged steel ball bearing trolleys. Drive mechanism shall be roller chain type. All auxiliary equipment for electrical operation including track with integral chain guides, roller chain, drive unit and motor key operated control, overload safety device, and drive sprocket assemblies shall be supplied by partition manufacturer. Power supply circuits, wiring, and electrical connection shall be work by the electrical contractor.
- B. Jamb-Lock: Back post to be secured to the wall by the "Jamb-Lock" mechanism concealed within the back post to provide a quick means of releasing and reattaching the partition for cleaning and decorative purposes.
- C. Locks: Satin chrome hand pulls with (select) manufacturer's standard locks or master-keyed

Soundmaster® & Modernfold® TECHNICAL DATA

locks. Master-keyed cylinders furnished by others. Locks shall be an integral part of the pull; Manually Operated Partitions Only.

PART 3 – EXECUTION

3.1 INSTALLATION

- A. General: Comply with partition manufacturer's written installation instructions, Drawings, and approved Shop Drawings.
- B. Install partitions and accessories after other finishing operations, including painting have been completed.
- C. Defective partitions are not acceptable.

3.2 CLEANING AND PROTECTION

- A. Clean partition surfaces upon completing installation of partitions to remove dust, dirt, adhesives, and other foreign materials according to manufacturer's written instructions.
- B. Provide final protection and maintain conditions in a manner acceptable to the manufacturer and installer that ensure operable partitions are without damage or deterioration at time of Substantial Completion.

3.3 ADJUSTING

- A. Adjust partitions to operate smoothly, easily, and quietly throughout entire operational range. Lubricate hardware and other moving parts.

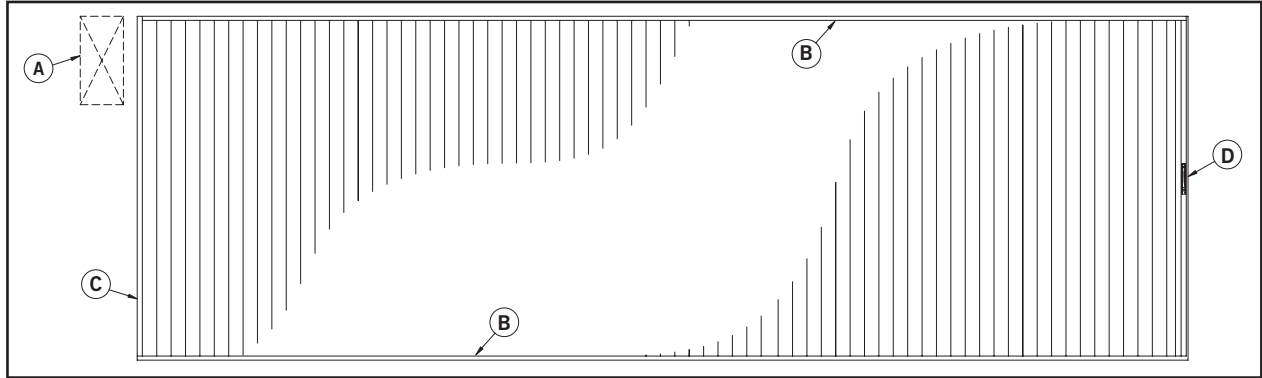
3.4 EXAMINATION

- A. Examine flooring, structural support, and opening, with Installer present, for compliance with requirements for installation tolerances and other conditions affecting performance of partitions. Proceed with installation only after unsatisfactory conditions have been corrected.

3.5 DEMONSTRATION

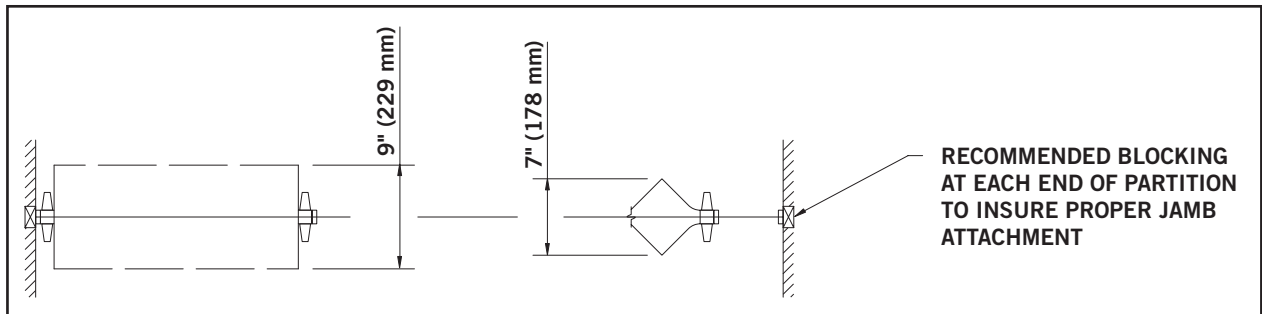
- A. Demonstrate proper operation and maintenance procedures to Owner's representative.
- B. Provide Operation and Maintenance Manual to Owner's representative.

Soundmaster® & Modernfold® TECHNICAL DATA OPTIONS

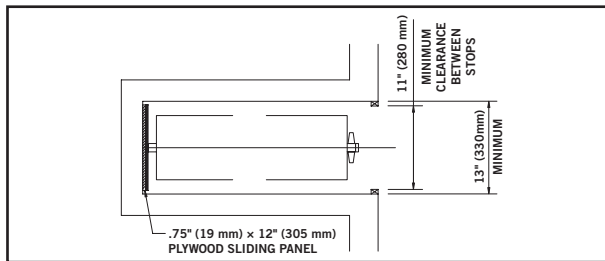


Soundmaster® & Modernfold® TECHNICAL DATA TYPICAL STACK CONFIGURATIONS

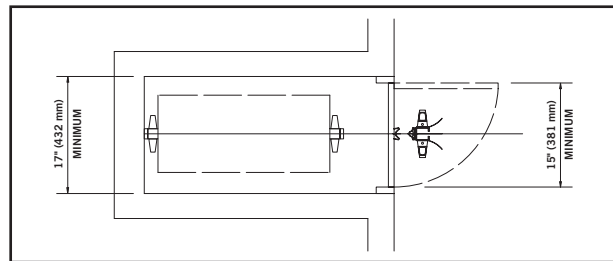
Soundmaster 8 & Modernfold 800 Standard Opening



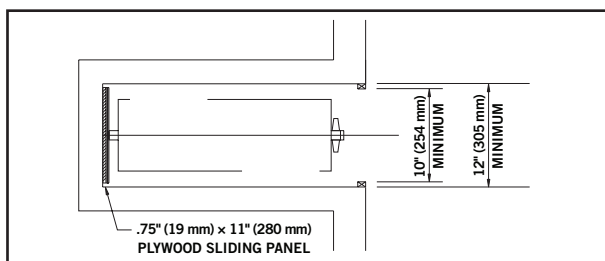
Soundmaster 8 Sliding Panel Storage Pocket



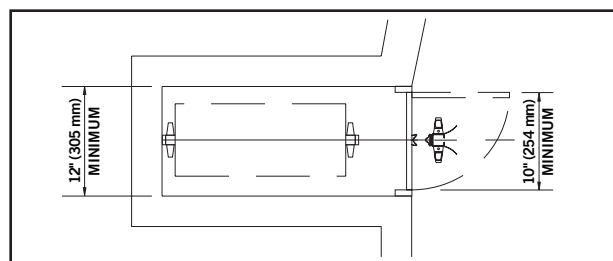
Soundmaster 8 Rolling Post Storage Pocket



Modernfold 800 Sliding Panel Storage Pocket

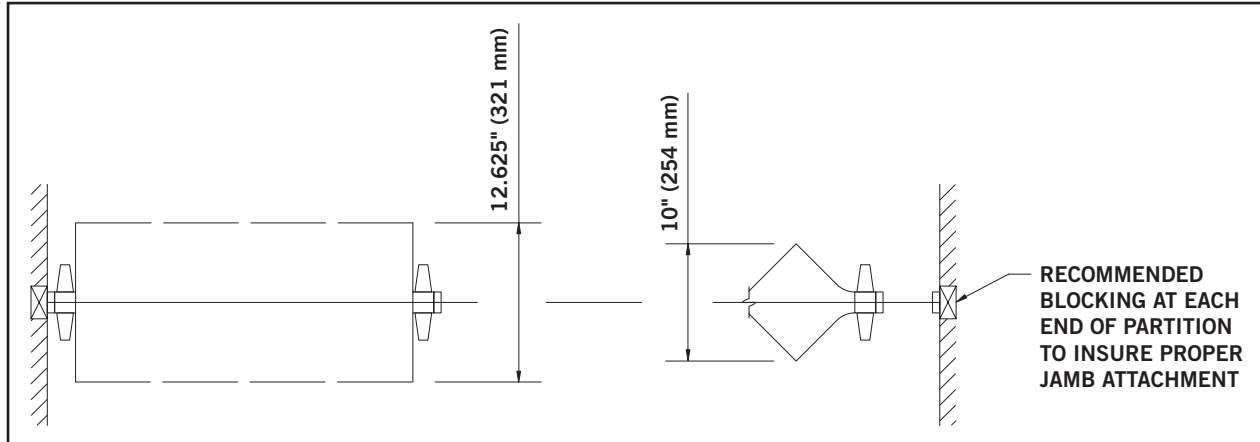


Modernfold 800 Rolling Post Storage Pocket

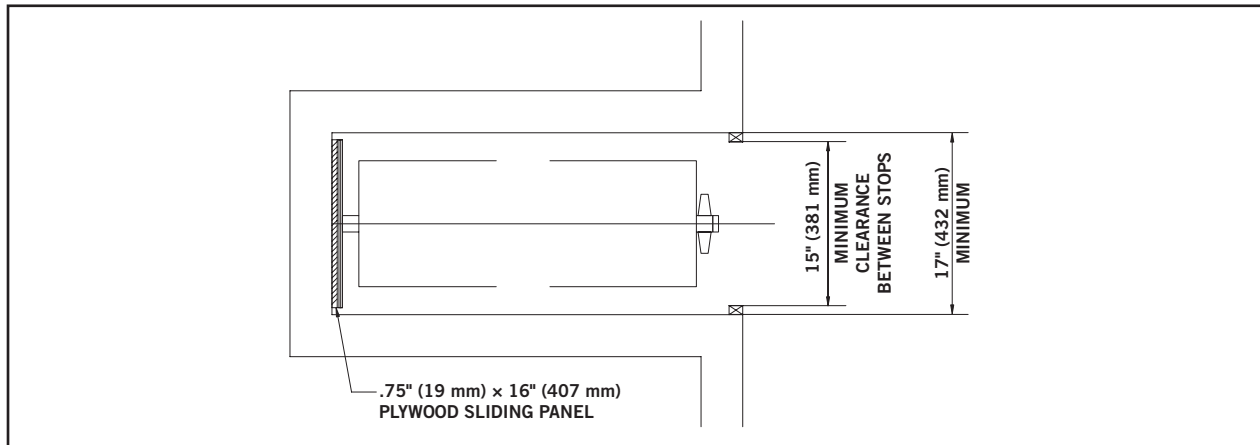


Soundmaster® & Modernfold® TECHNICAL DATA
TYPICAL STACK CONFIGURATIONS

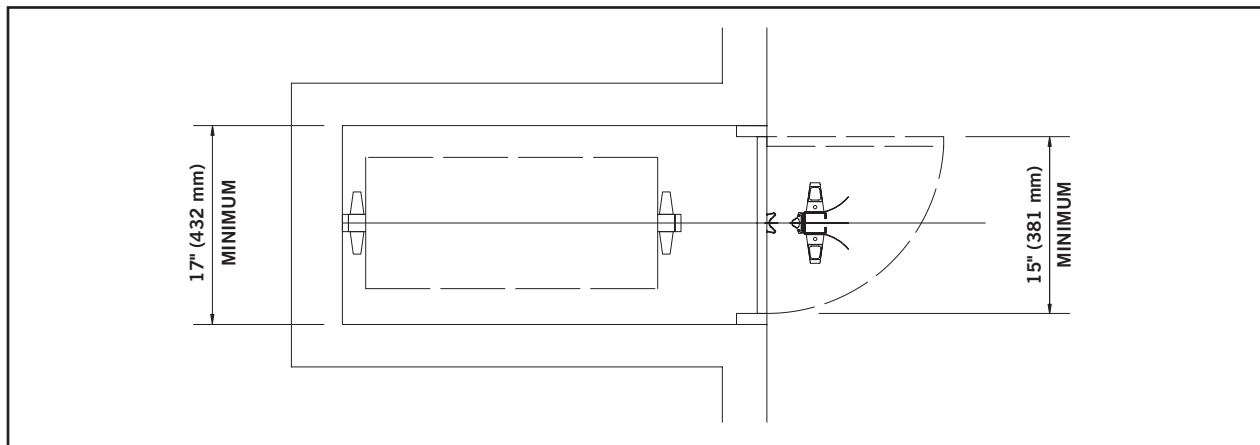
Soundmaster 12 & Modernfold 1200 Standard Opening



Soundmaster 12 & Modernfold 1200 Sliding Panel Storage Pocket



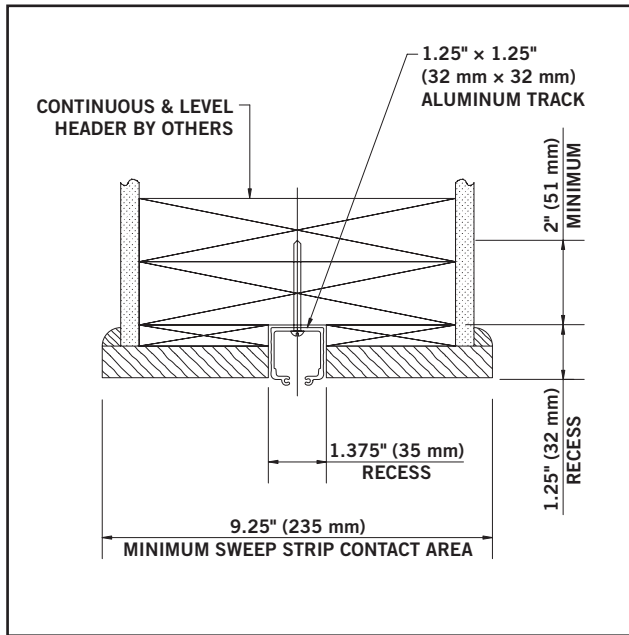
Soundmaster 12 & Modernfold 1200 Rolling Post Storage Pocket



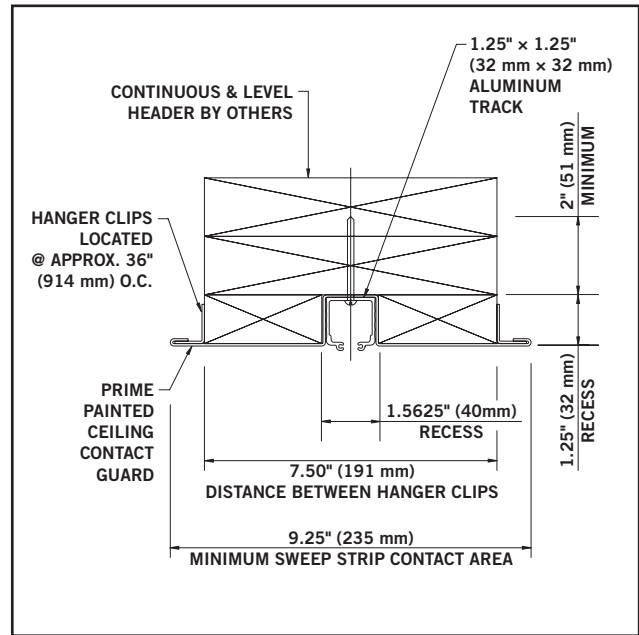
Soundmaster® & Modernfold® TECHNICAL DATA HEAD DETAILS

Head Details with #5 Track for Partitions to 33'-2" Wide × 12'-0"
(12'-0" for Modernfold 800) Max. Height (66'-4" Wide if a Pair)

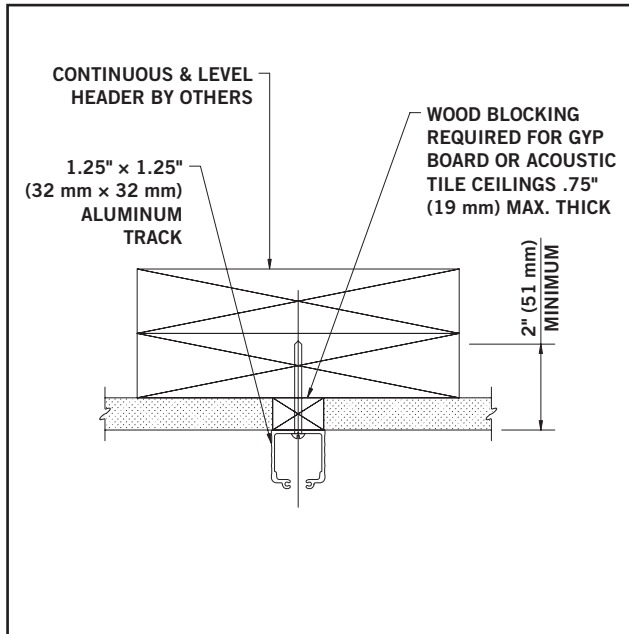
Soundmaster 8 & Modernfold 800
#5 Track in Wood Cased Beam



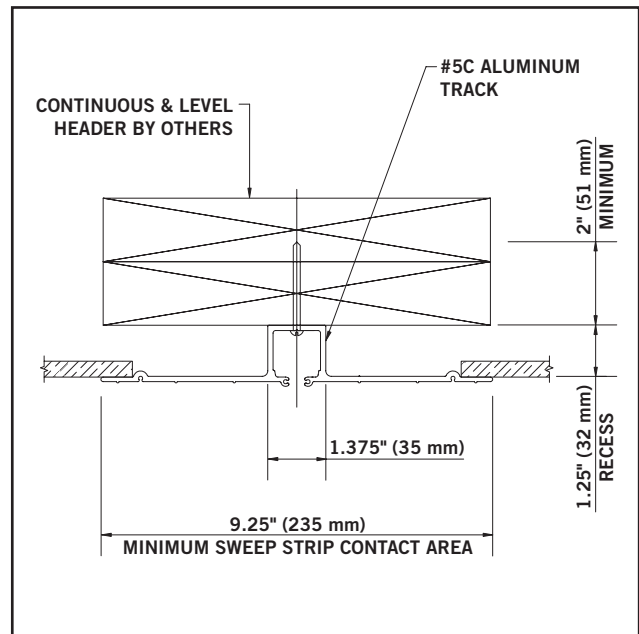
Soundmaster 8 & Modernfold 800
#5 Track Recessed (w/Ceiling Guard)



Soundmaster 8 & Modernfold 800
#5 Track Surface Mounted



Soundmaster 8 & Modernfold 800
#5C Track Recessed

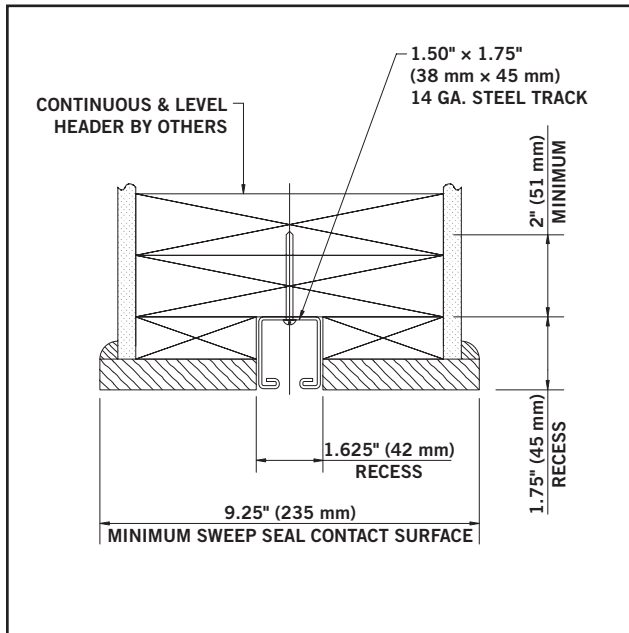


NOTE: Electrical operation required for openings over 400 sq ft (37.2 sq m) for Soundmaster 8, 360 sq ft (33.444 sq m) for Soundmaster 12, and 730 sq ft (67.89 sq m) for Modernfold 1200.

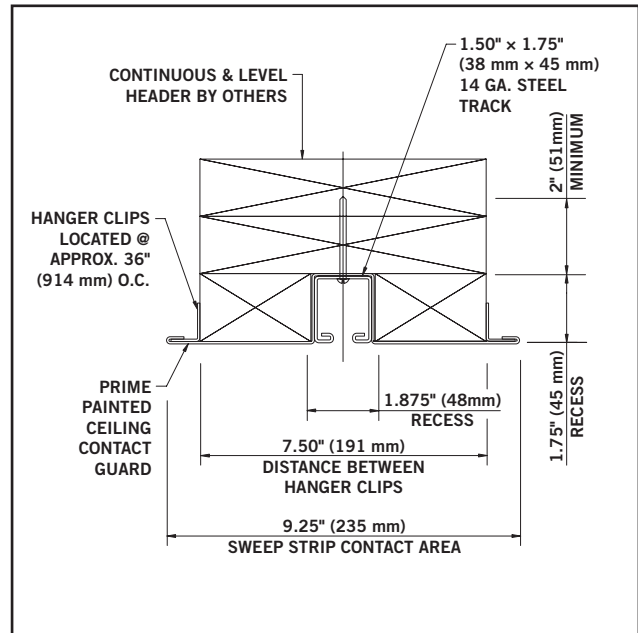
Soundmaster® & Modernfold® TECHNICAL DATA PANEL, WORK SURFACE, AND PASS DOOR OPTIONS

Head Details with #6 Track for Partitions over 33'-2" Wide × 14'-0" Max. Height (66'-4" Wide if a Pair)

Soundmaster 8 & Modernfold 800
#6 Track in Wood Cased Beam

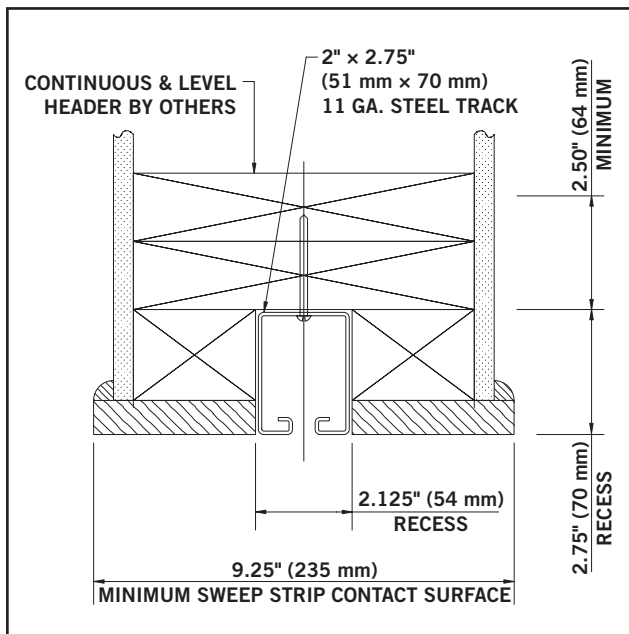


Soundmaster 8 & Modernfold 800
#6 Track Recessed (w/Ceiling Guard)

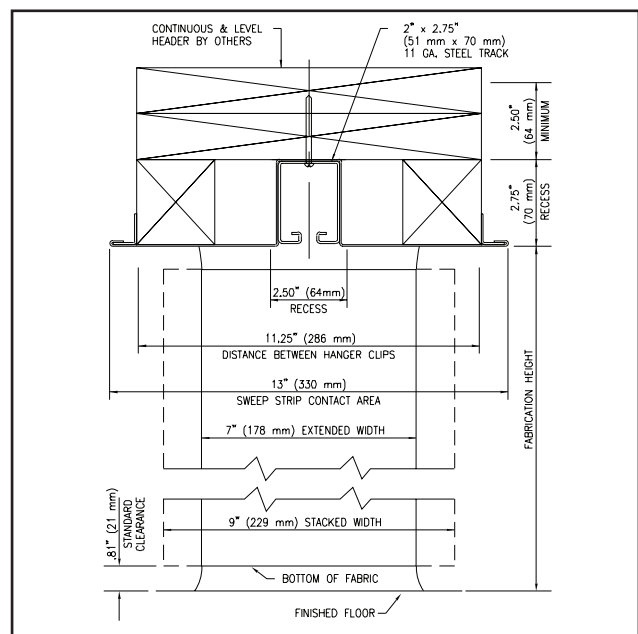


Head Details for optional #7 Track

Soundmaster 8 & Modernfold 800
#7 Track in Wood Cased Beam



Soundmaster 8 & Modernfold 800
#7 Track Recessed (w/Ceiling Guard)

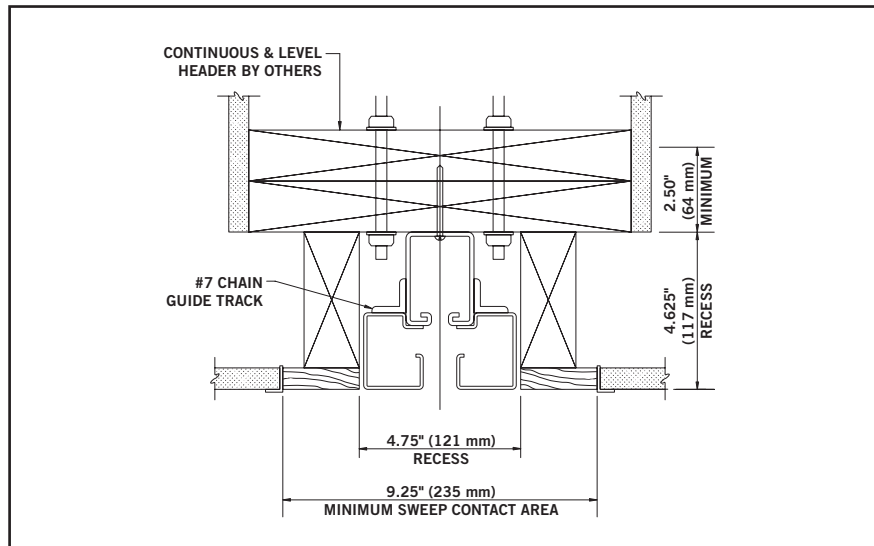


NOTE: Electrical operation required for openings over 400 sq ft (37.2 sq m) for Soundmaster 8, 360 sq ft (33.444 sq m) for Soundmaster 12, and 730 sq ft (67.89 sq m) for Modernfold 1200.

Soundmaster® & Modernfold® TECHNICAL DATA HEAD DETAILS

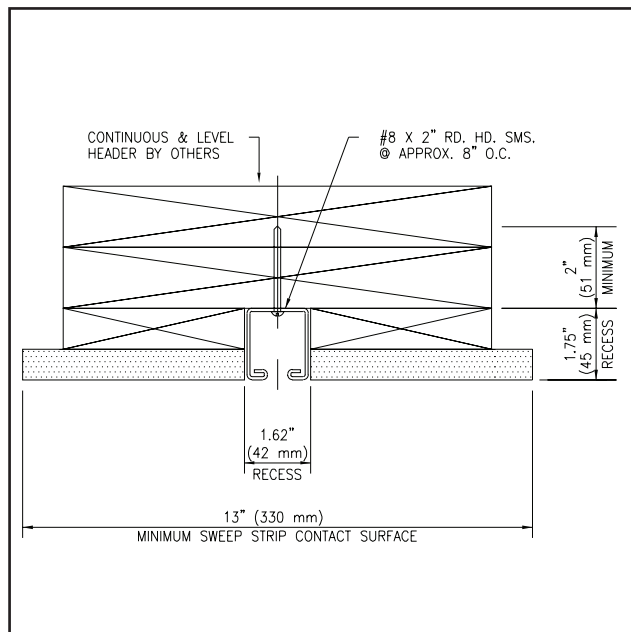
Head Detail with #7 Chain Guide Track for Soundmaster Openings over 400 sq ft (37.2 sq m)

Soundmaster 8 & Modernfold 800 #7 Track Electrically Operated

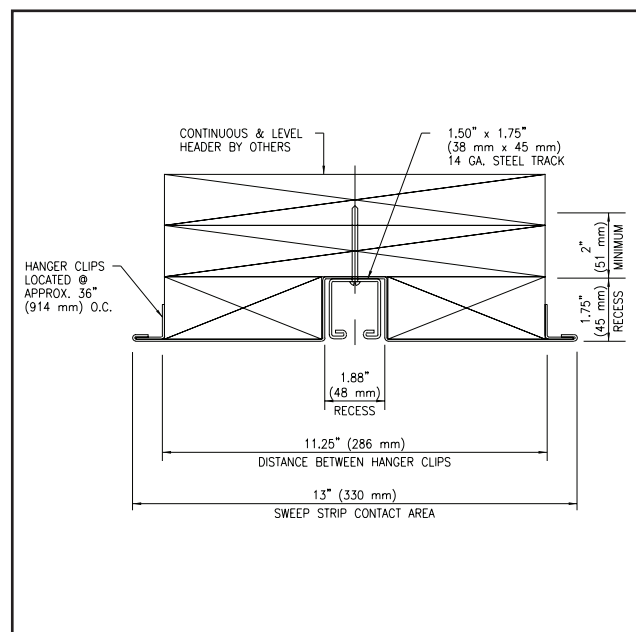


Head Details with #6 Track — for Soundmaster Partitions to 30'-4" Wide × 12'-0" Max. Height (60'-8" Wide if a Pair) — for Modernfold Partitions to 40'-1" Wide × 14'-0" Max. Height (80'-2" Wide if a Pair)

Soundmaster 12 & Modernfold 1200
 #6 Track in Wood Cased Beam



Soundmaster 12 & Modernfold 1200
 #6 Track Recessed (w/Ceiling Guard)

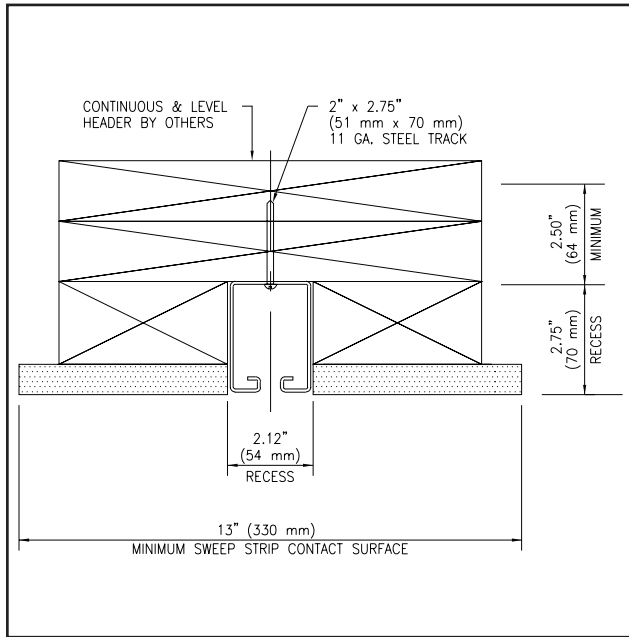


NOTE: Electrical operation required for openings over 400 sq ft (37.2 sq m) for Soundmaster 8, 360 sq ft (33.444 sq m) for Soundmaster 12, and 730 sq ft (67.89 sq m) for Modernfold 1200.

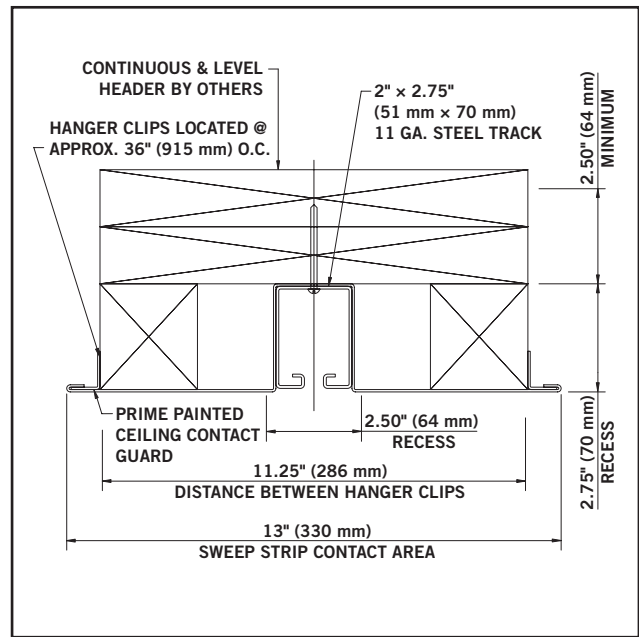
Soundmaster® & Modernfold® TECHNICAL DATA HEAD DETAILS

Head Details for optional #7 Track

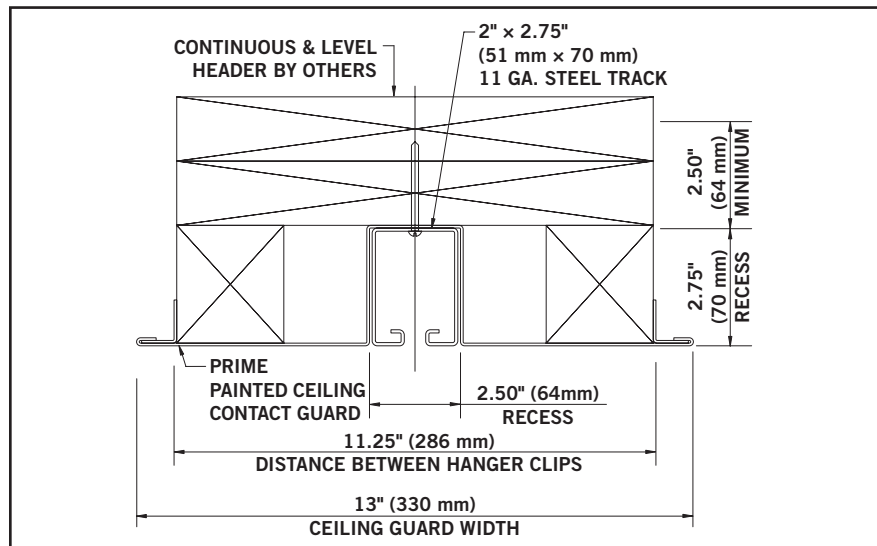
Soundmaster 12 & Modernfold 1200
 #7 Track in Wood Cased Beam



Modernfold 1200 #7 Track Recessed
 (w/Ceiling Guard)



Soundmaster 12 #7 Track Recessed (w/Ceiling Guard)

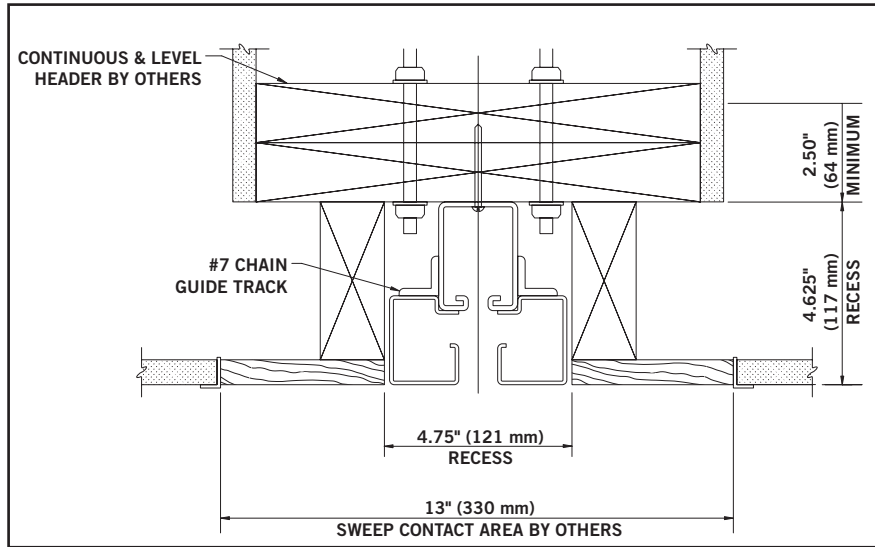


NOTE: Electrical operation required for openings over 400 sq ft (37.2 sq m) for Soundmaster 8, 360 sq ft (33.444 sq m) for Soundmaster 12, and 730 sq ft (67.89 sq m) for Modernfold 1200.

Soundmaster® & Modernfold® TECHNICAL DATA HEAD DETAILS

Head Detail with #7 Chain Guide Track — for Soundmaster Openings over 360 sq ft
(33.4 sq m) — for Modernfold Openings over 730 sq ft (66.9 sq m)

Soundmaster 12 & Modernfold 1200 #7 Track Electrically Operated

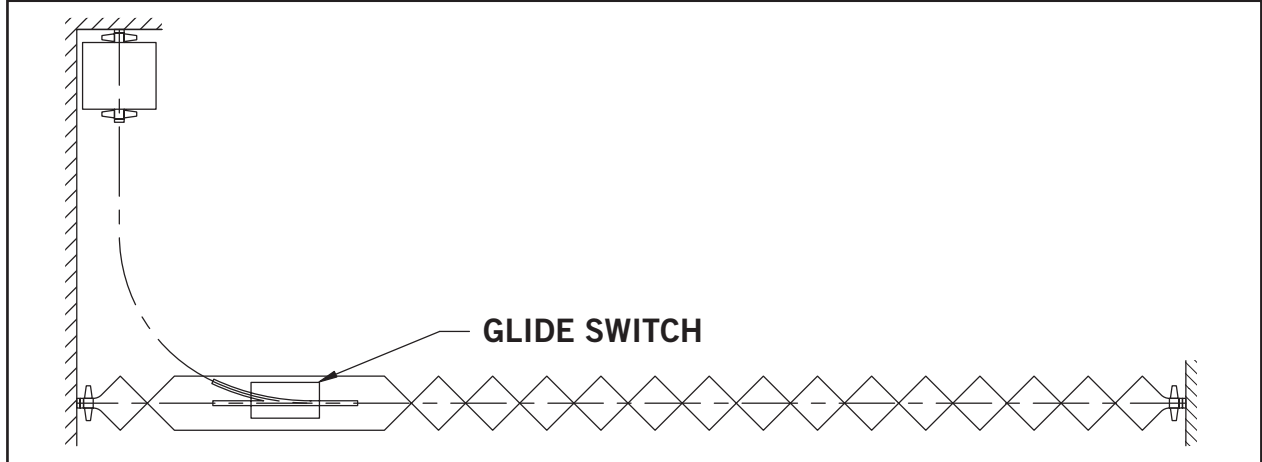


NOTE: Electrical operation required for openings over 400 sq ft (37.2 sq m) for Soundmaster 8,
360 sq ft (33.444 sq m) for Soundmaster 12, and 730 sq ft (67.89 sq m) for Modernfold 1200.

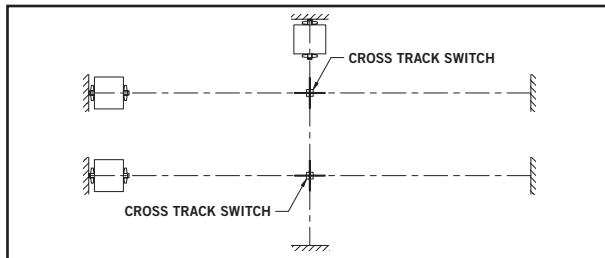
Please contact your local Modernfold distributor for further assistance, or visit our website at www.modernfold.com.

Soundmaster® & Modernfold® TECHNICAL DATA
 ACCESSORY TRACK SWITCHES, MEETING POSTS

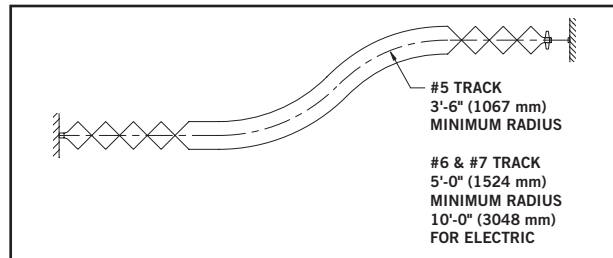
Glide Switch



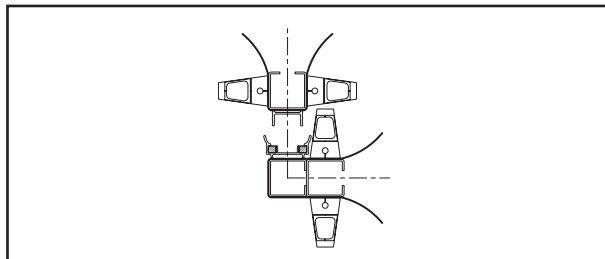
Cross Track Switch



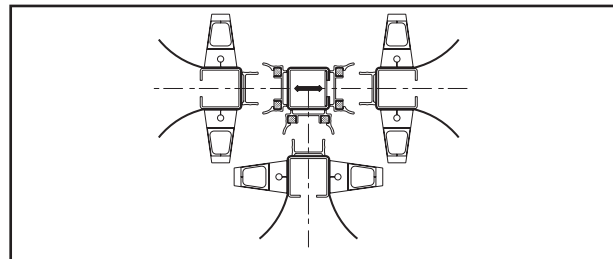
Curved Track



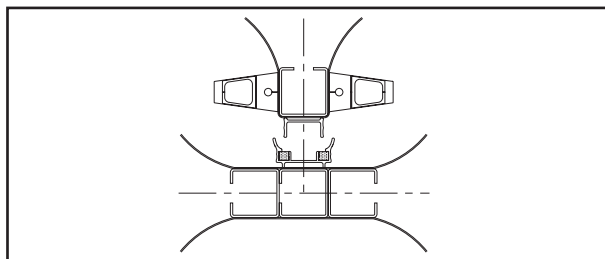
Attached "L" Post



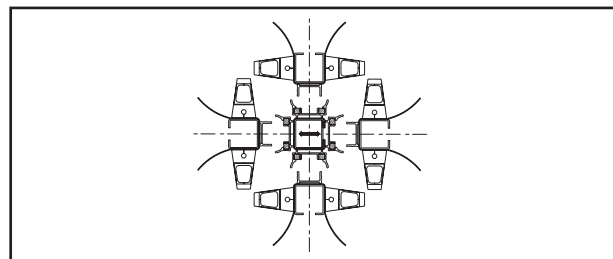
Free Rolling "T" Post



Triple Intermediate Post



Free Rolling "X" Post



NOTE: Handles meeting at perpendicular intersections are at staggered heights to prevent interference.

Soundmaster® & Modernfold® TECHNICAL DATA

Soundmaster® & Modernfold® TECHNICAL DATA

Soundmaster® & Modernfold® TECHNICAL DATA



**215 West New Road
Greenfield, IN 46140**

Tel: 800.869.9685

**Email: info@modernfold.com
Website: www.modernfold.com**