

ARCHITECT CUT SHEET

# EURO PIVOT™ IMPACT RATED ALUMINUM DOORS



Euro-Wall's Euro Pivot™ door comes in aluminum or aluminum with wood clad. The Euro Pivot™ can be constructed to a height of 14' and a width of 8' providing solutions for non-traditional breathtaking openings. The Euro Pivot™ is a great impact rated Florida Product Approved pivot door option for any commercial or residential application.

## PANEL MINIMUM / MAXIMUM

Max Panel Weight: 700 lbs

Min Panel Width: 36"

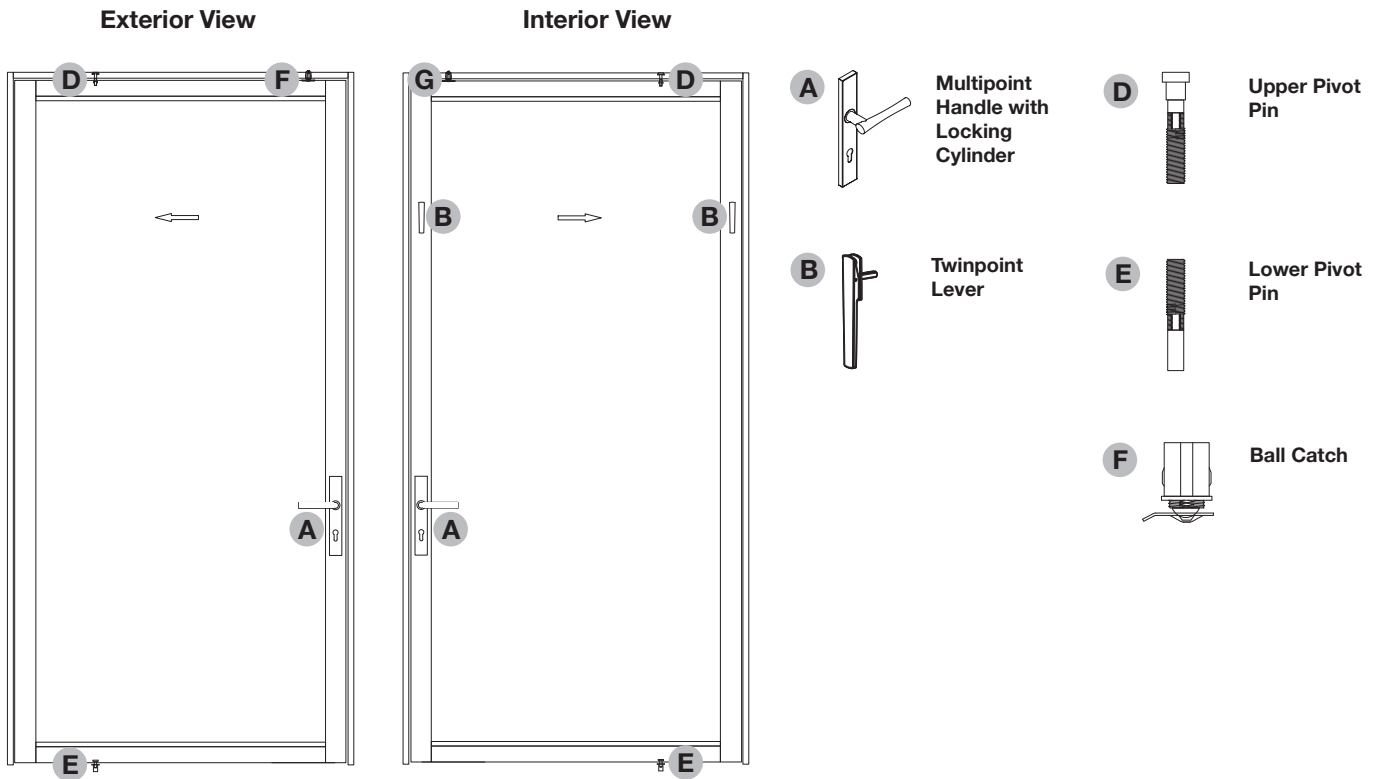
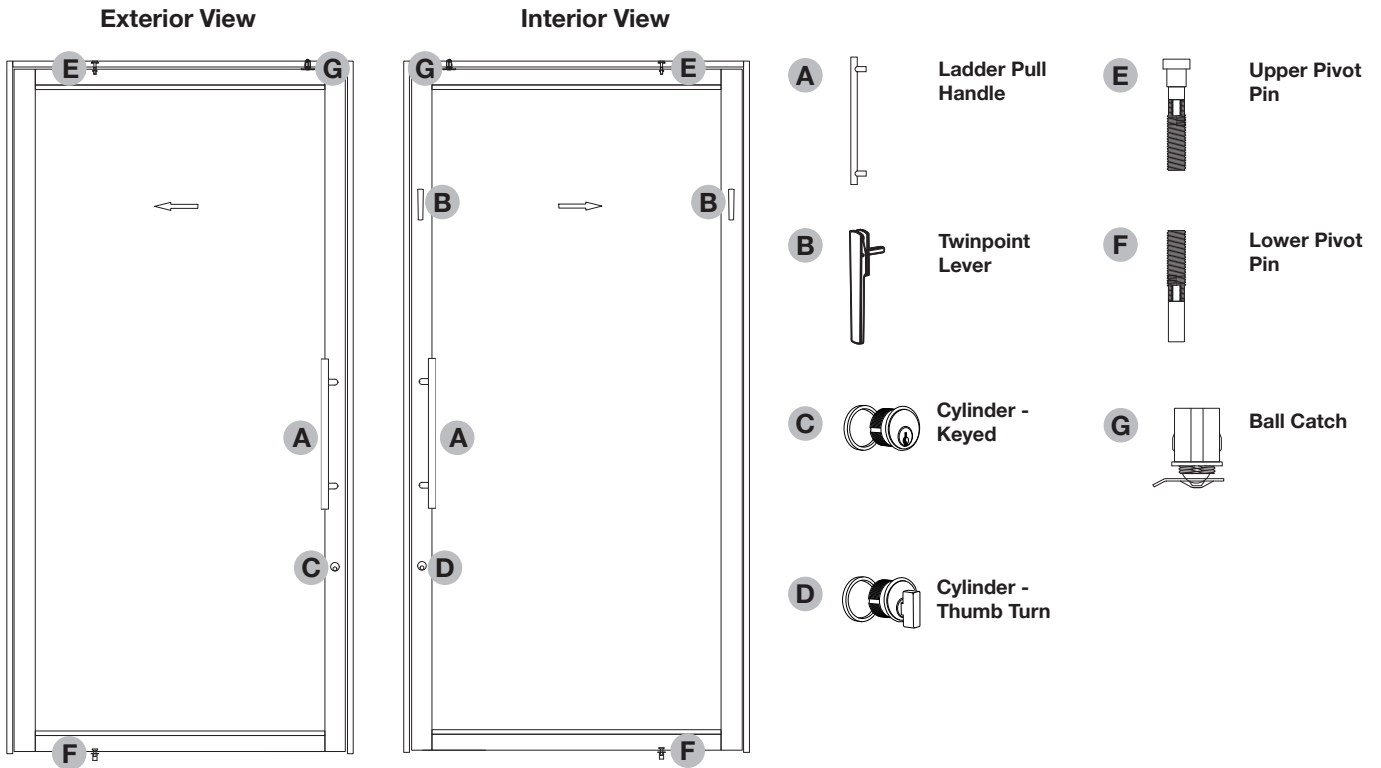
Max Panel Width: 100"

Min Panel Height: 48"

Max Panel Height: 168"

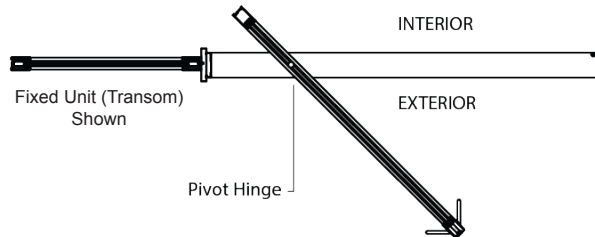
Panel Thickness: 2-1/4"

OVERVIEW DIAGRAM



SWING ORIENTATIONS

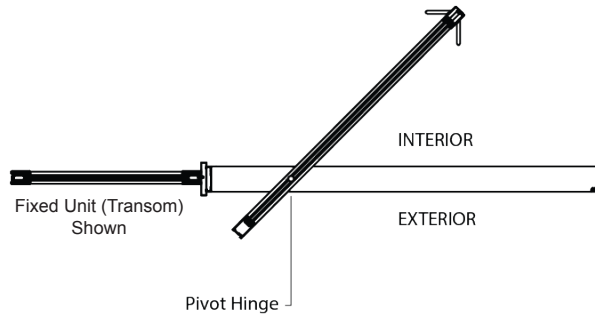
**Right Hand  
Outswing**



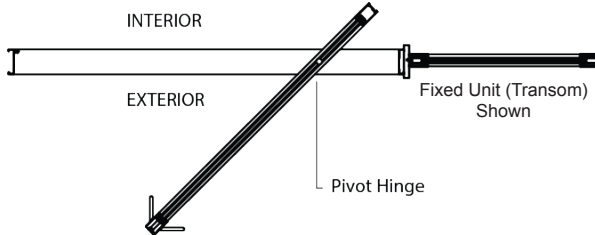
**Jamb Orientation**



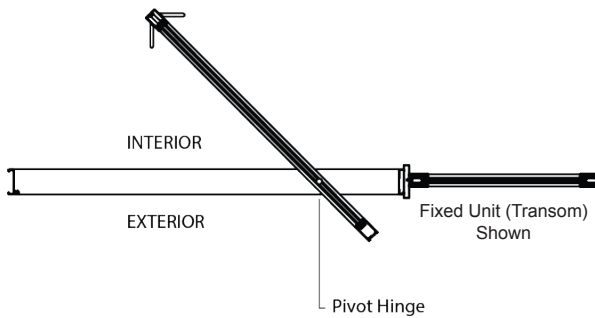
**Left Hand  
Inswing**



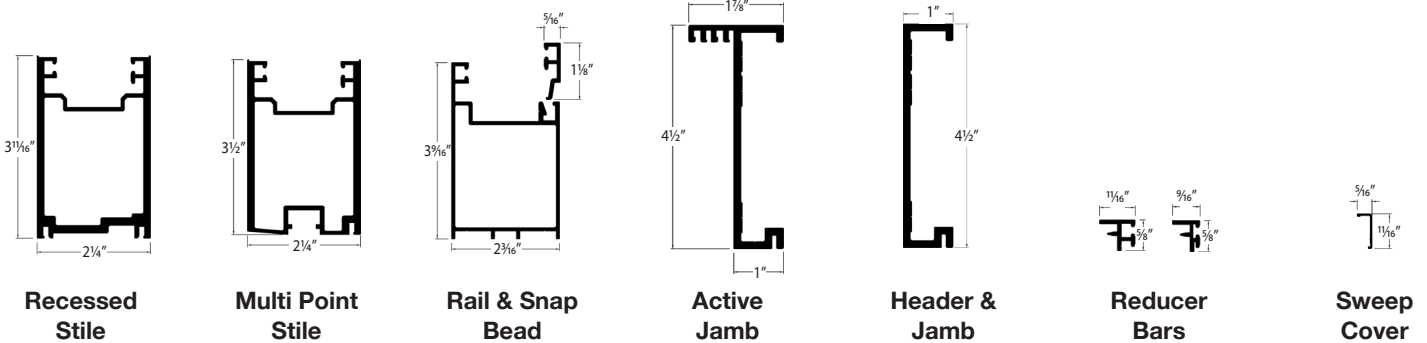
**Left Hand  
Outswing**



**Right Hand  
Inswing**



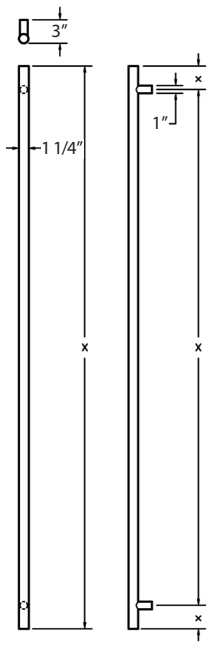
## EXTRUSION PROFILES



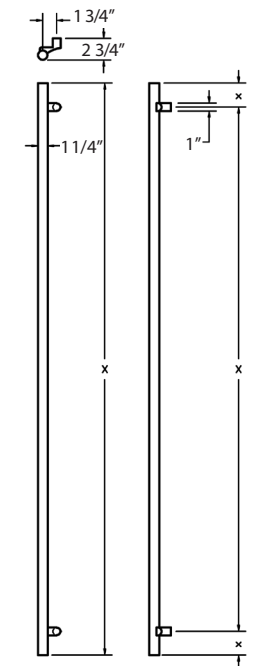
## HANDLES

### Ladder Pull Handle

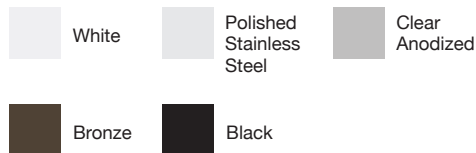
#### Straight



#### Offset

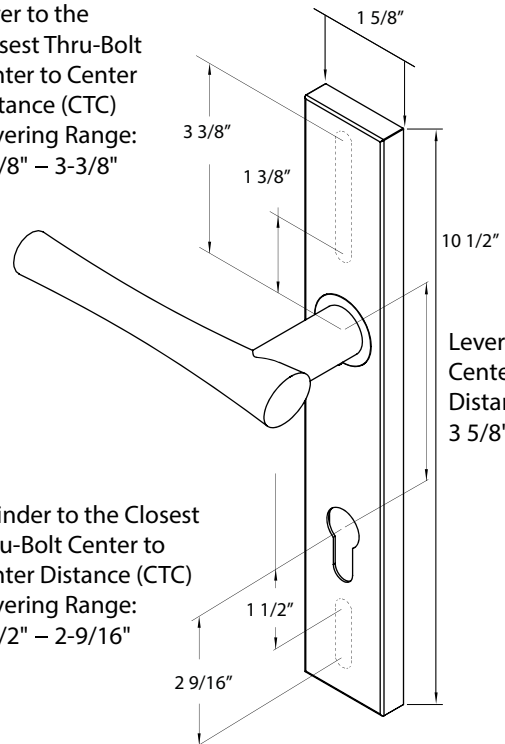


Standard 12"  
Custom up to 72" nominal



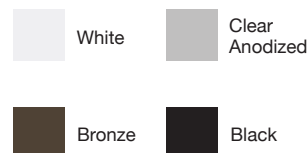
### Multi Point 5 Point Locking Handle

Lever to the  
Closest Thru-Bolt  
Center to Center  
Distance (CTC)  
Covering Range:  
1-3/8" – 3-3/8"

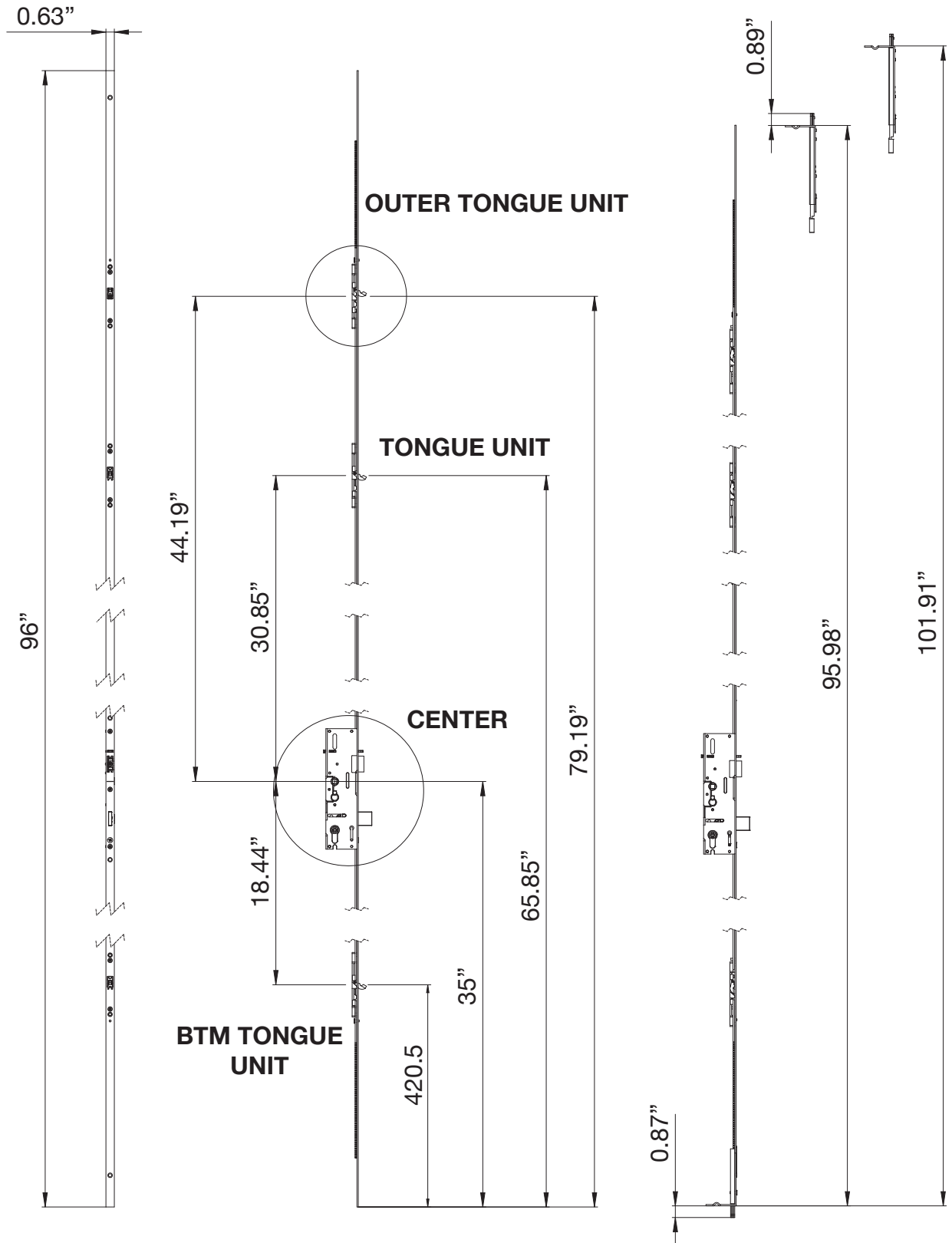


Lever to Cylinder  
Center to Center  
Distance (CTC):  
3 5/8"

Cylinder to the Closest  
Thru-Bolt Center to  
Center Distance (CTC)  
Covering Range:  
1-1/2" – 2-9/16"

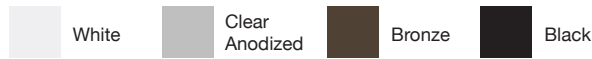
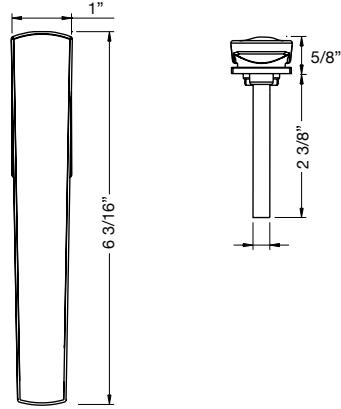


5 POINT LOCK



LOCKS

**Twinpoint Lever**



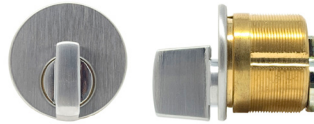
**Key & Thumb Turn Locks**



**1" • Key Cylinder**  
Use: Non-Cladded Door

**1-1/8" • Key Cylinder**  
Use: Single Side Clad Door

**1-1/2" • Key Cylinder**  
Use: Double Side Clad Door

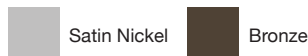


**1" • Thumb Turn Cylinder**  
Use: Non-Cladded Door

**1-1/8" • Thumb Turn Cylinder**  
Use: Single Side Clad Door

**1-1/4" • Thumb Turn Cylinder**  
Use: Clad > 3/16"

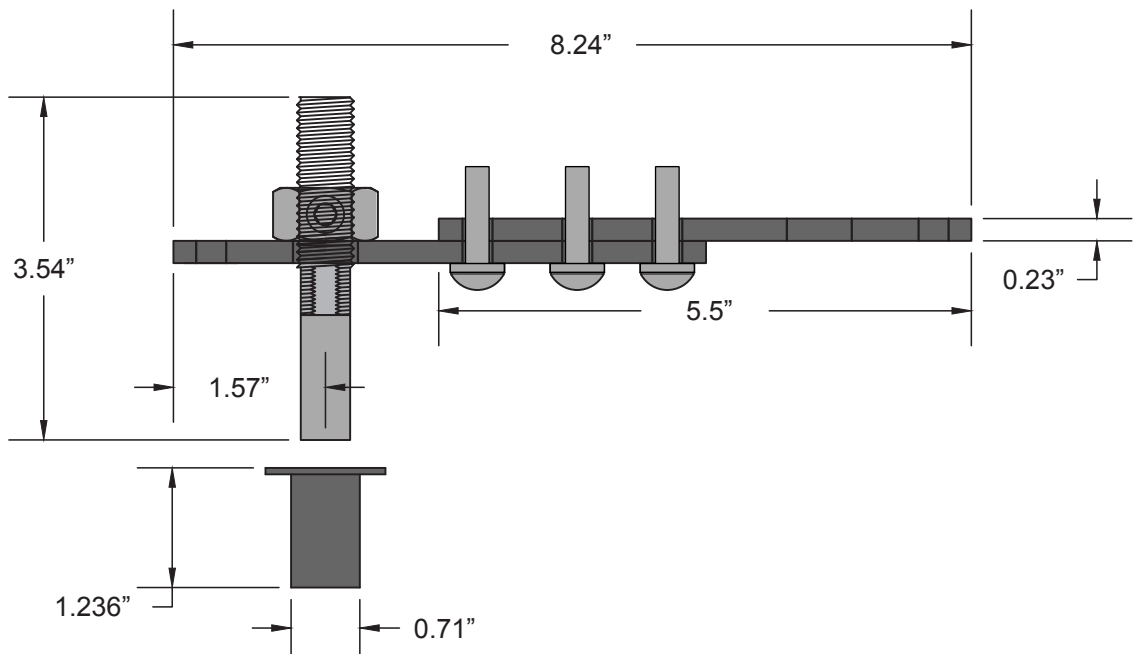
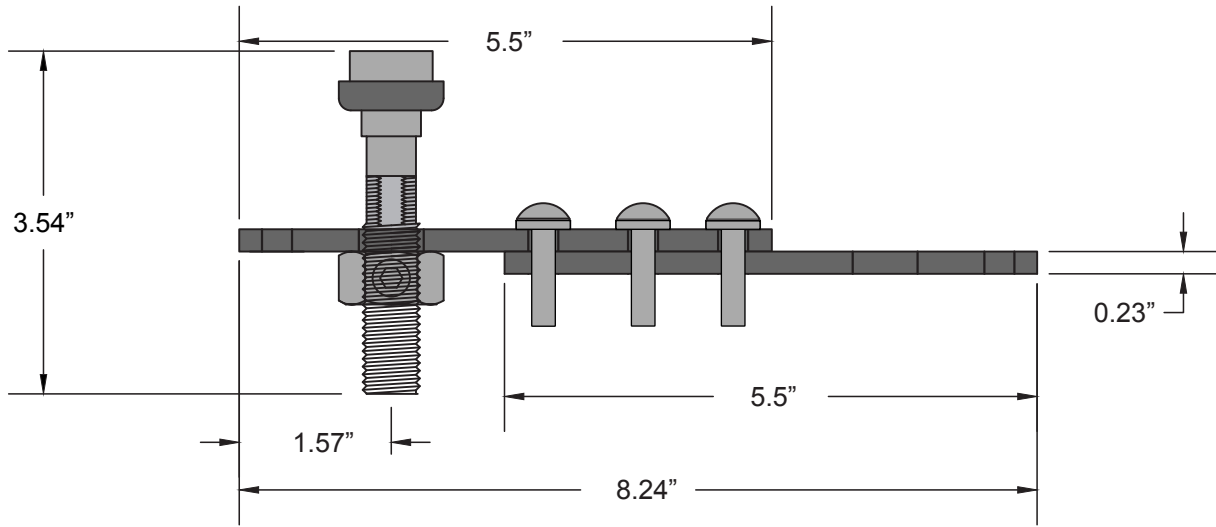
**1-1/2" • Thumb Turn Cylinder**  
Use: Double Side Clad Door



**1/8" Collar Ring**  
Use: All Cylinders

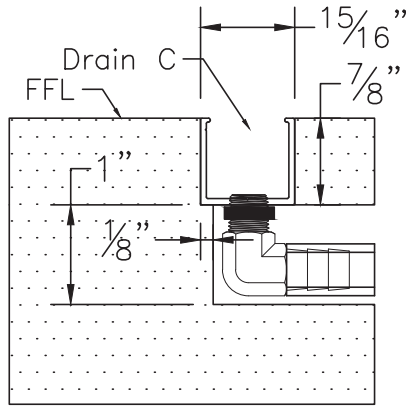


PIVOT PINS

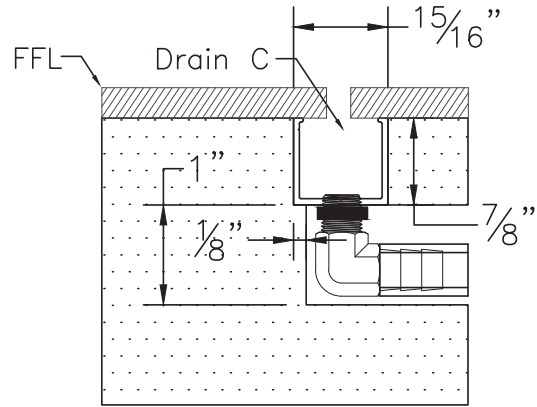


EMBED OPTIONS

**Water Management System  
Typical Drain Hole Embedding**

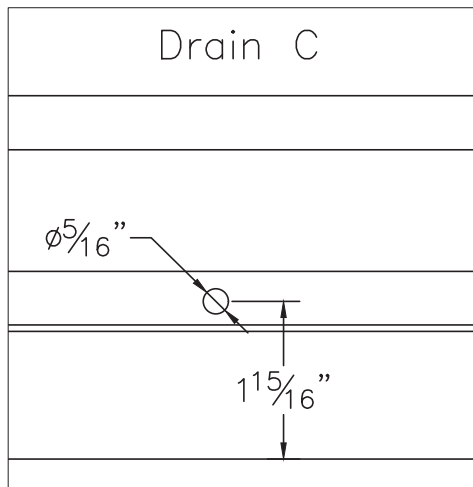


Full Embed



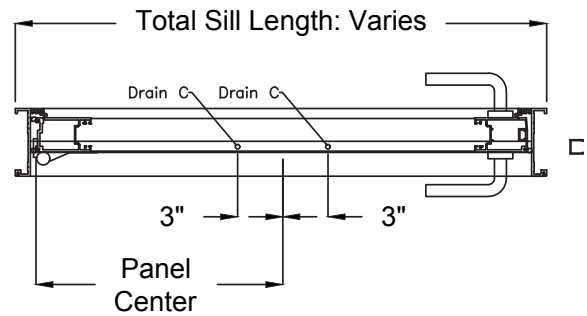
Full Embed

**Water Management System  
Typical Drain Hole Milling**

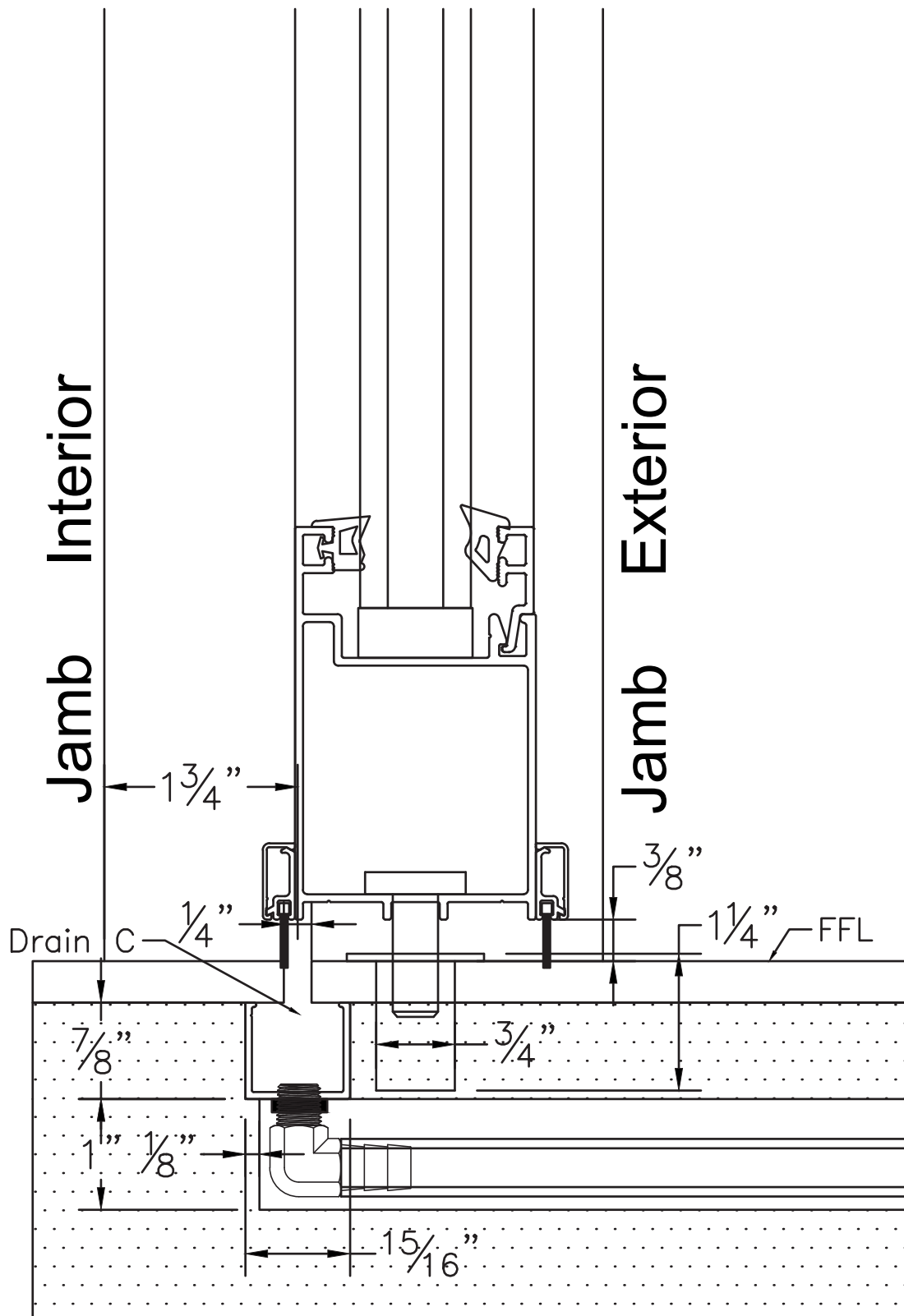


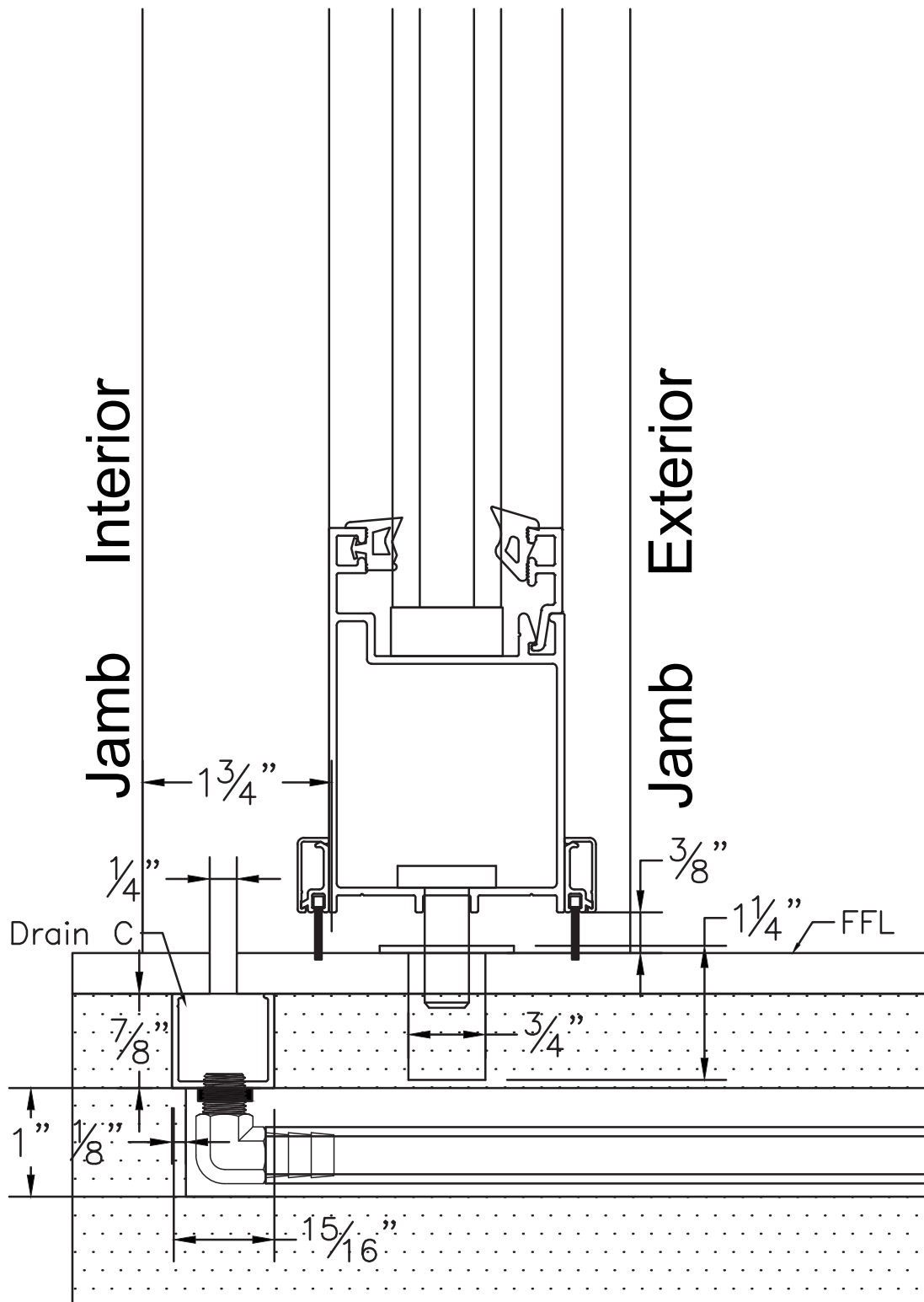
**Water Management System  
Typical Drain Hole Location**

Drill using a 5/16" Bit, and Tap using a 1/8" NPT, with 27 Threads per Inch



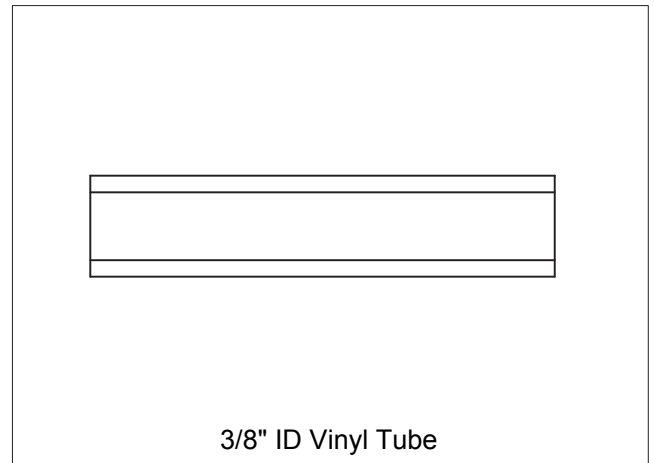
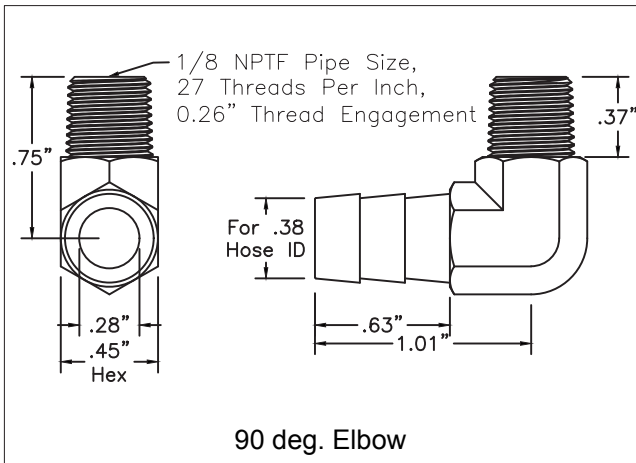
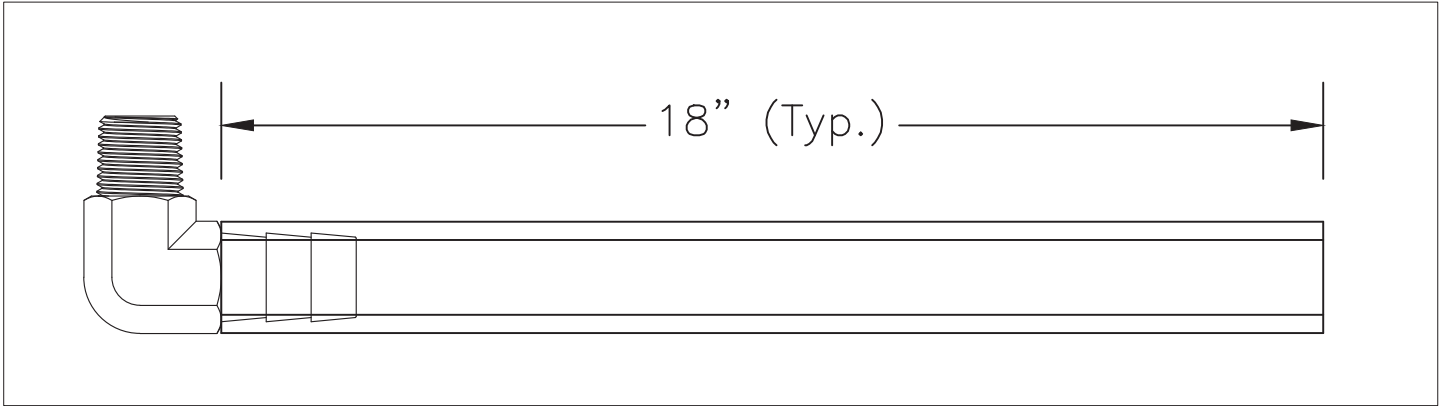




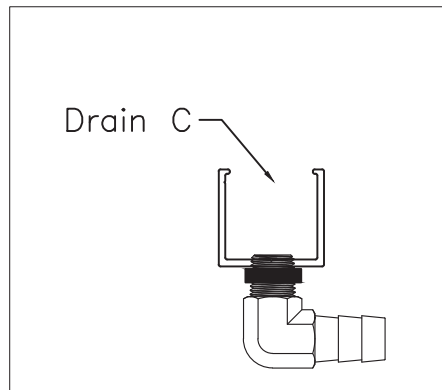


**Water Management System - Parts**

**Parts**



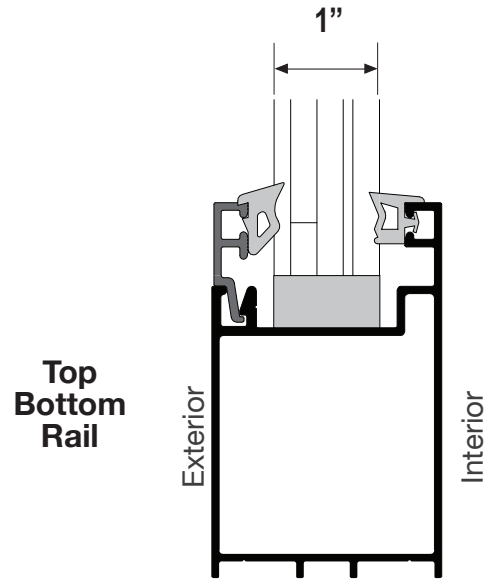
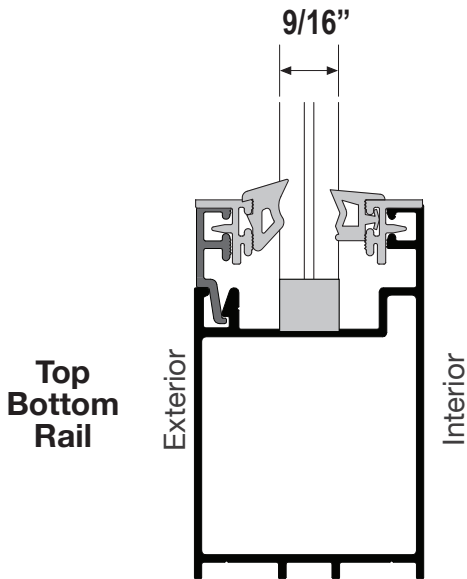
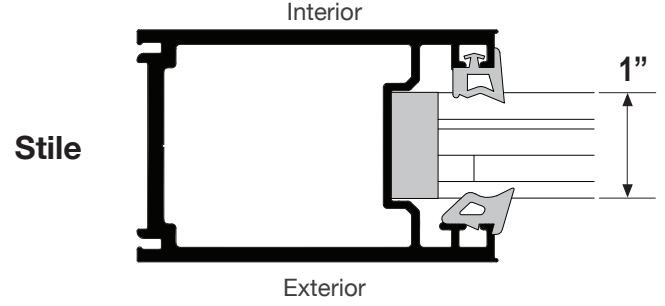
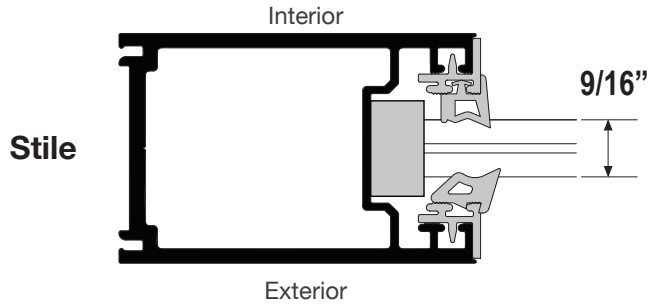
**Typical Drain Hole Location**



GLAZING DETAILS

**Impact Glass (9/16" Monolithic)**

**IG Impact**



## FINISH OPTIONS

### Standard Finishes



White Clear Anodized Bronze Black

### Standard Wood Finishes



Mahogany / Sapele White Oak

### Exotic Wood Finishes

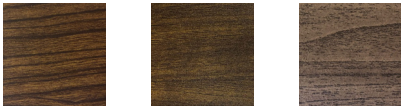


African Rosewood Ash Birch Curly Maple Red Oak Walnut Zebrawood

### Faux Wood Grain Finishes

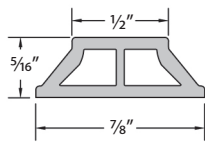


Aspen Burlwood Chesnut Cherry Cinnamon Red Dark Walnut English Oak Hazelnut Brown Honey Pine Mahogany Red Natura

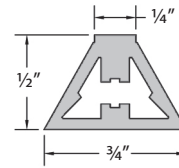


Teak Walnut Brown Weathered Teak

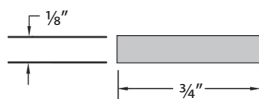
## GRID OPTIONS



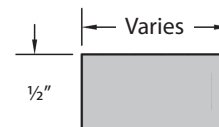
**7/8" OG MUNTIN**



**3/4" STANDARD MUNTIN**



**3/4" FLAT MUNTIN**



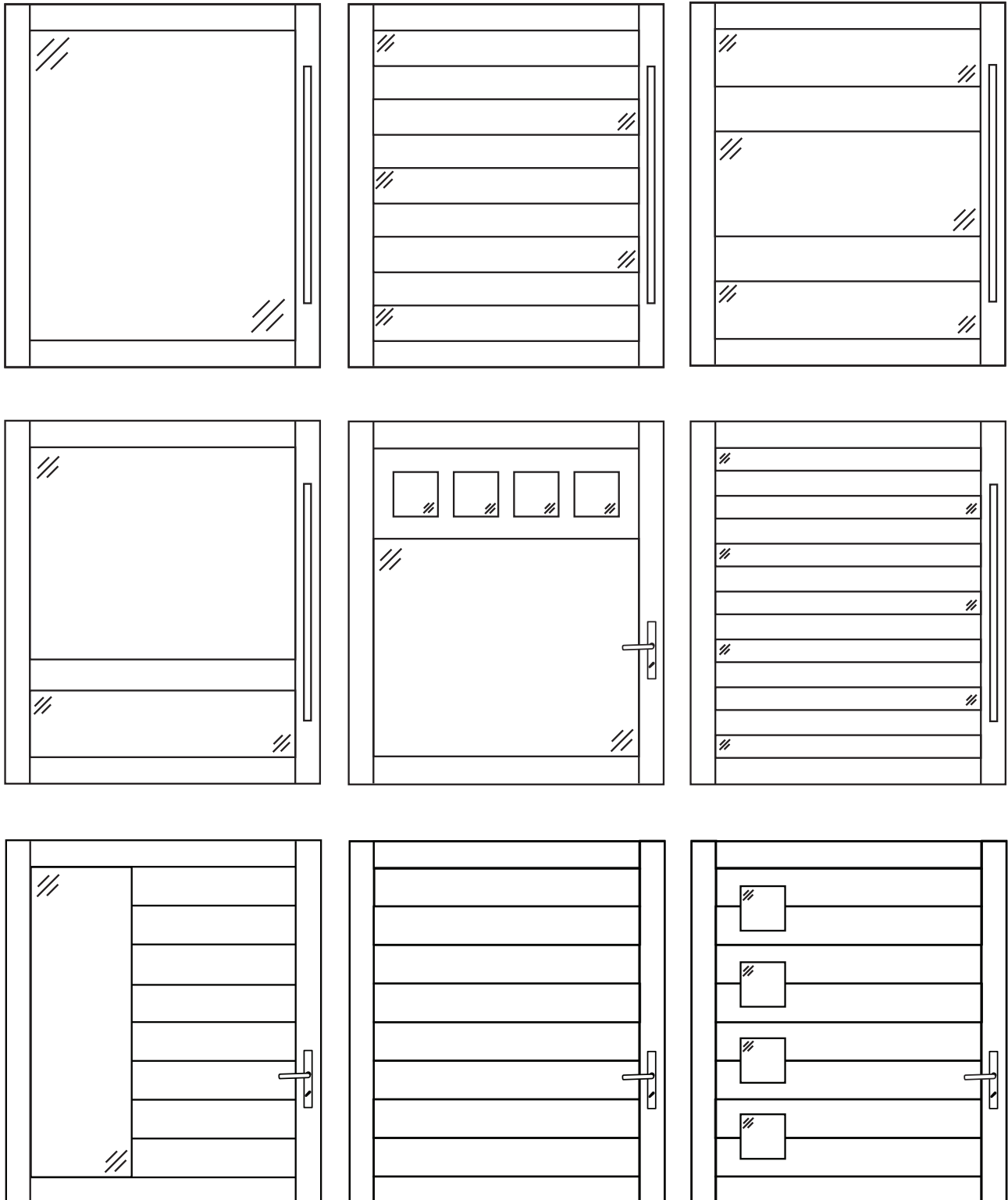
**1/2" STANDARD MIDRAIL**

Used for midrails up to 4"

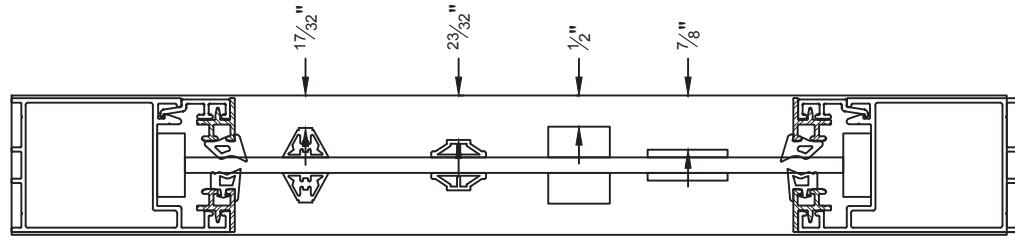
**NOTE:** The 3/4" flat muntin is primarily used for sliding doors, however if your project has pivot and sliding doors this muntin will be used to make them all match.

## CONFIGURATIONS

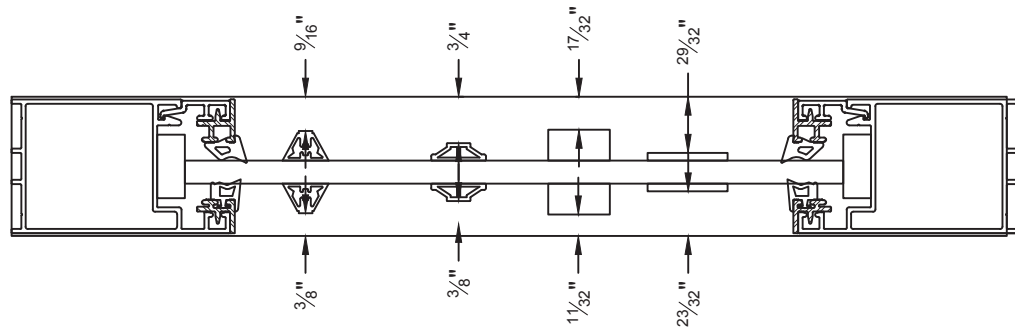
The configurations below are just a few examples of the numerous possibilities for Euro Pivot™ Door. All configurations are available in aluminum, interior wood clad or an interior/exterior faux wood grain kynar finish.



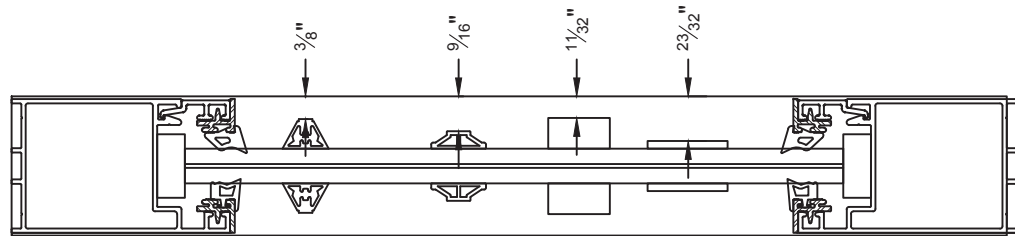
1/4



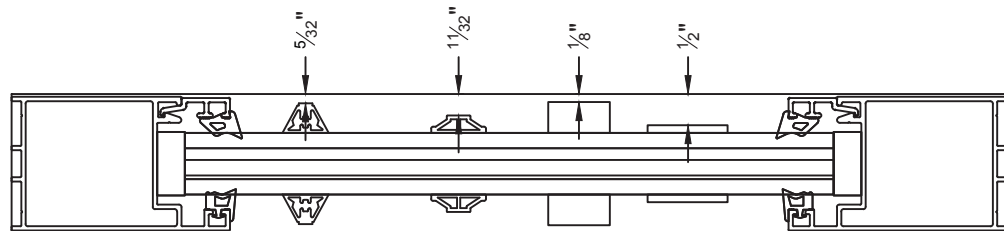
3/8



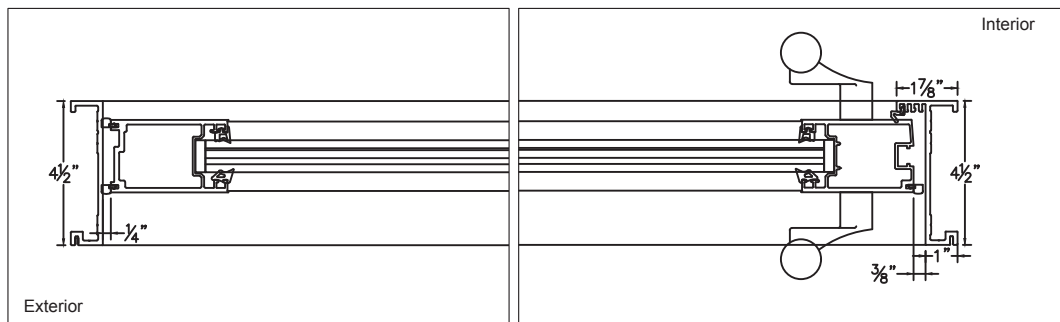
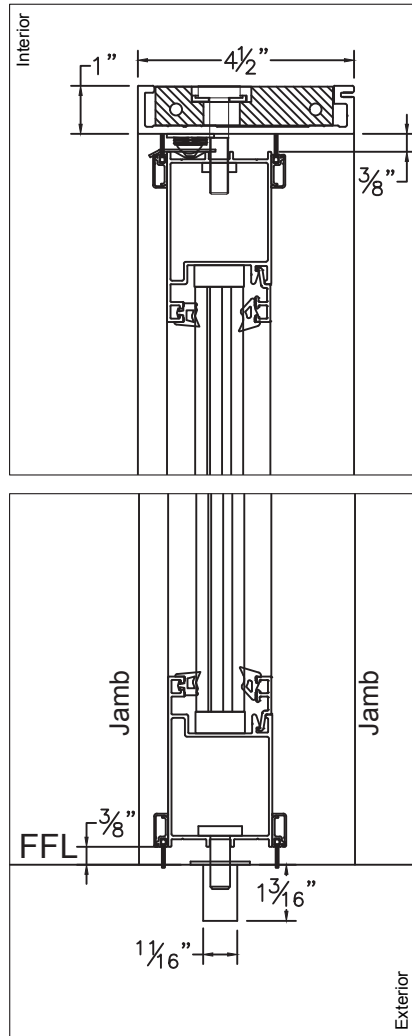
9/16 Mono



IG/IG Impact



ELEVATION DETAILS



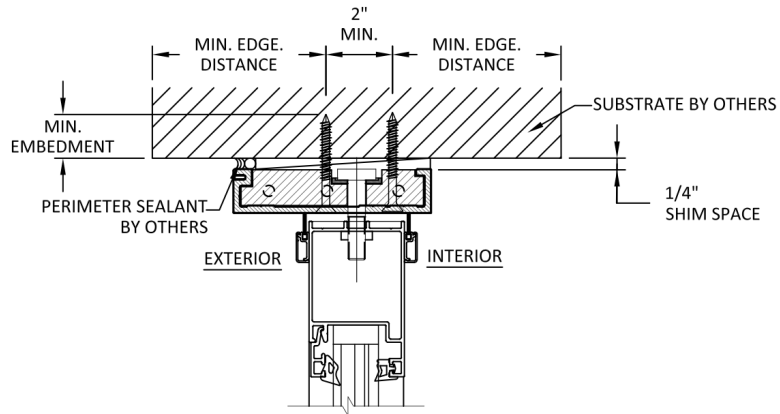


## ANCHOR DETAILS

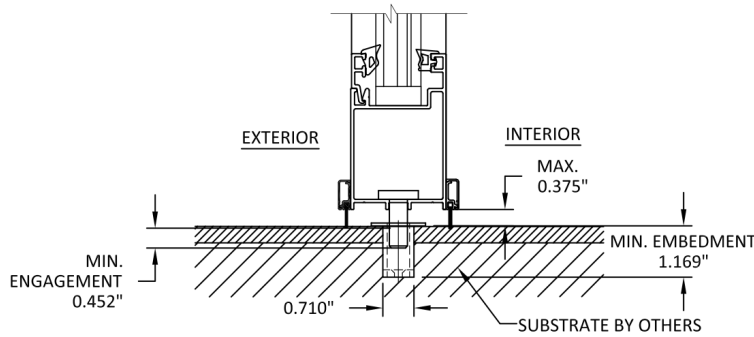
### Anchor Installation Notes

1. One installation anchor is required at each anchor location shown unless specified in the anchor schedule. Two installation anchors at the jambs.
2. The number of installation anchors depicted is the minimum number of anchors to be used for product installation of the maximum size listed.
3. Install individual installation anchors within a tolerance of  $\pm 1/2"$  the depicted location & spacing in the anchor layout details (I.E. without consideration of tolerances). Tolerances are not cumulative from one installation anchor to the next.
4. Shim as required at each installation anchor with load bearing shim(s). Maximum allowable shim stack to be  $1/4"$ . Shim where space of  $1/16"$  or greater occurs. Shim(s) shall be constructed of high density plastic or better.
5. For masonry or concrete openings, 1x wood buck may be used (optional as long as the minimum embedment and edge distance requirements are still met within the corresponding host substrate). See general note #3 on the sheet 1 for more information.
6. Minimum embedment and edge distance exclude wall finishes, including but not limited to stucco, foam, brick veneer and siding.
7. Installation anchors and associated hardware must be made of corrosion resistant material or have a corrosion resistant coating.
8. For hollow block and grout filled block, do not install installation anchors into mortar joints. Edge distance is measured from free edge of block or edge of mortar joint into face shell of block.
9. Installation anchors shall be installed in accordance with anchor manufacturer's installation instructions, and anchors shall not be used in substrates with strengths less than the minimum

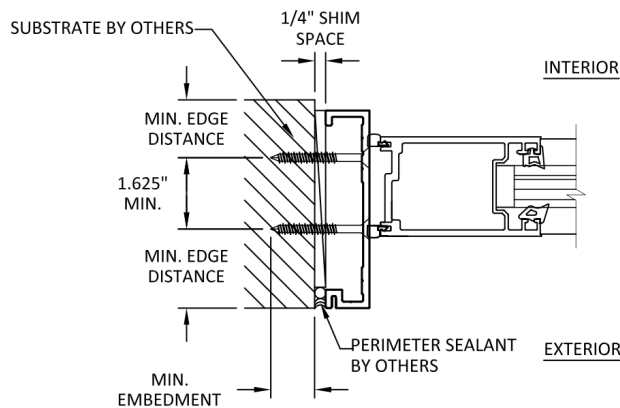
ANCHOR SCHEDULE				
METHOD	SUBSTRATE	ANCHOR SCHEDULE	MIN EMBEDMENT	MIN. EDGE DISTANCE
Through Frames (Heads/Jambs)	Wood: Min. SG=0.55	#14 Wood Screw	1.5"	0.75"
	Metal: 18 Gauge Steel, Min. Fy=33KSI	#12 Self Drilling or Self Tapping Screw	3 Threads Min Penetration Beyond Metal	0.5"
	Metal: Aluminum Min. 1/8" Thickness Min. 6063-T5			
	Concrete: f'c=3000PSI	1/4" ITW Tapcon	1.75"	3"
	Masonry: CMU per ASTM C90	1/4" ITW Tapcon	1.75"	4"



**A**  
**6** **ANCHOR DETAIL**  
THROUGH FRAME (HEAD)

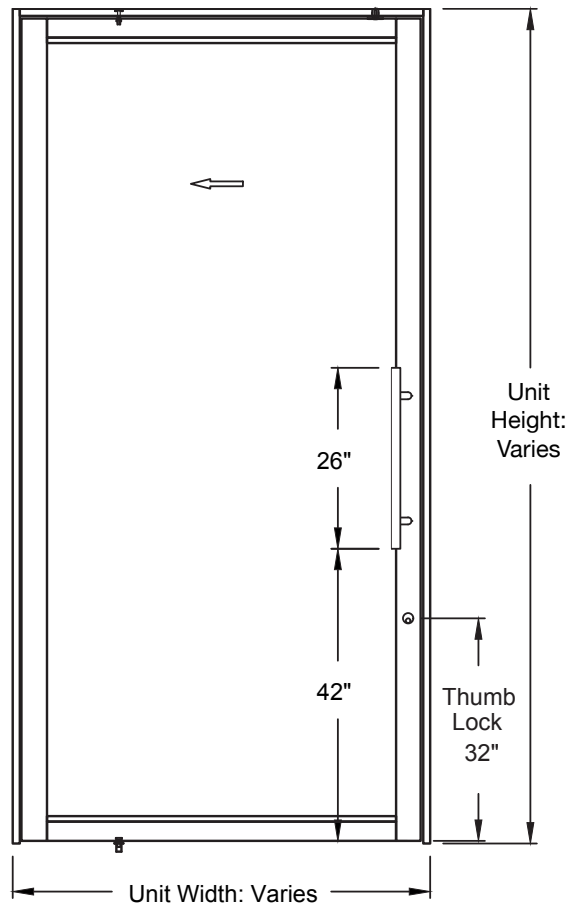


**B**  
**6** **ANCHOR DETAIL**  
PIVOT (SILL)



**C**  
**6** **ANCHOR DETAIL**  
THROUGH FRAME (JAMB)

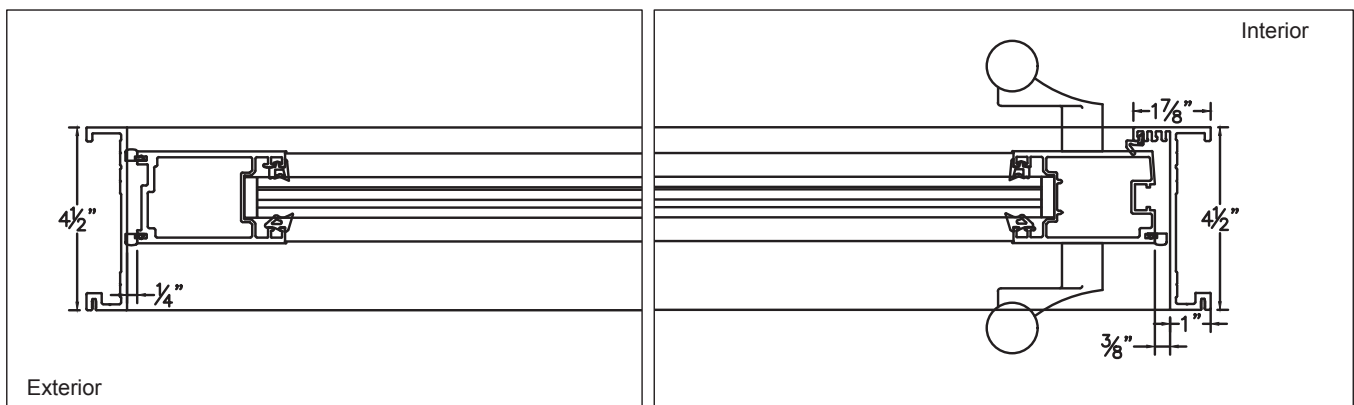
Pivot Configuration Shown



EXTERIOR ELEVATION



HORIZONTAL CROSS SECTION



DESIGN PRESSURE & PIVOT LOCATION CHARTS

WZ3 Design Pressure

Panel Width (Inches)

	60	64	68	72	76	80	84	88	92	96	100
72	60	60	60	60	60	57	54.55	52.5	50.77	49.29	48
78	60	60	60	60	60	56.84	54.03	51.69	49.73	48.07	46.64
84	60	60	60	60	60	56.84	54	51.43	49.19	47.31	45.71
90	60	60	60	60	60	56.84	54	51.43	49.09	46.98	45.18
96	60	60	60	60	60	56.84	54	51.43	49.09	46.96	45
102	60	60	60	60	60	56.84	54	51.43	49.09	46.96	45
108	60	60	60	60	60	56.84	54	51.43	49.09	46.96	
114	60	60	60	60	60	56.84	54	51.43			
120	60	60	60	60	60	56.84	54				
126	60	60	60	60	60	56.84					
132	60	60	60	60	59.87						
138	60	60	60	60							
144	60	60	60	58.92							
150	60	60	60								
156	60	60									
162	60	60									
168	60										

Minimum Pivot Offset from Jamb (Inches)

Panel Width (Inches)

44	48	52	56	60	64	68	72	76	80	84	88	92	96	100
4	4	4	4	4	4	8	11	14	18	21	24	26	29	32

**HVHZ Design Pressure  
Panel Width (Inches)**

	60	64	68	72	76	80	84	88	92	96	100	
<b>Panel Height (Inches)</b>	72	60	60	60	60	60	57	54.55	52.5	50.77	49.29	48
	78	60	60	60	60	60	56.84	54.03	51.69	49.73	48.07	46.64
	84	60	60	60	60	60	56.84	54	51.43	49.19	47.31	45.71
	90	60	60	60	60	60	56.84	54	51.43	49.09	46.98	45.18
	96	60	60	60	60	60	56.84	54	51.43	49.09	46.96	45
	102	60	60	60	60	60	56.84	54	51.43	49.09	46.96	45
	108	60	60	60	60	60	56.84	54	51.43	49.09	46.96	
	114	60	60	60	60	60	56.84	54	51.43			
	120	60	60	60	60	60	56.84	54				
	126	60	60	60	60	60	56.84					
	132	60	60	60	60	59.87						
	138	60	60	60	60							
	144	60	60	60	60							

**Minimum Pivot Offset from Jamb (Inches)  
Panel Width (Inches)**

44	48	52	56	60	64	68	72	76	80	84	88	92	96	100
4	4	4	4	4	4	8	11	14	18	21	24	26	29	32

## TEST PERFORMANCE RESULTS

- Approved for use in Miami-Dade HVHZ Zone
- Florida Building Code Approved Product Approval FL 22410
- TAS 201 TAS 202 TAS 203
- Tested for Thermal Requirements
- AAMA / WDMA / CSA 101 / I.S.2 / A440-08 • NAFS-08
- Air Infiltration: A2
- Water Leakage Resistance: 60 DP
- Wind Load Resistance: 60 DP
- Wind Zone 4 (Hurricane) ASTM (cycling) E1996: DP60
- Wind Zone 4 (Hurricane) ASTM (impact) E1886: Pass

## NFRC

Descrip.	Product Number	Pane IDs	Pane Thickness	Gap / Fill	Surface / Emissivity	Tint	Grid Type / Size	U-factor	SHGC	VT	CR
6mm 366 - .375 Air - 5mm/090SGP/5mm Clr	001	#1 2157 #2 2067	#1 0.225 #2 0.460	0.375 Air	#2: 0.022	CL	N,G	0.62	N: 0.21 G: 0.19	N: 0.40 G: 0.35	14
6mm 366 - .375 Air - 5mm/090SGP/5mm i89	002	#1 2157 #2 65000	#1 0.225 #2 0.460	0.375 Air	#2: 0.022 #4: 0.149	CL	N,G	0.57	N: 0.20 G: 0.18	N: 0.39 G: 0.34	14
6mm SB70 - .375 Air - 5mm/090SGP/5mm Clr	003	#1 5439 #2 2067	#1 0.223 #2 0.460	0.375 Air	#2: 0.018	CL	N,G	0.62	N: 0.21 G: 0.18	N: 0.41 G: 0.36	14
6mm 340 - .375 Air - 5mm/090SGP/5mm Clr	004	#1 2167 #2 2067	#1 0.225 #2 0.460	0.375 Air	#2: 0.028	GY	N,G	0.62	N: 0.15 G: 0.14	N: 0.24 G: 0.21	14
6mm 340 - .375 Air - 5mm/090SGP/5mm i89	005	#1 2167 #2 65000	#1 0.225 #2 0.460	0.375 Air	#2: 0.028 #4: 0.149	GY	N,G	0.57	N: 0.14 G: 0.13	N: 0.24 G: 0.20	14



## **EURO-WALL 10 YEAR WARRANTY**

Euro-Wall warrants the products to be free from manufacturing defects for a period of 10 years from the date of purchase.

---

888.989.EURO (3876)

[www.euro-wall.com](http://www.euro-wall.com)

### **MANUFACTURING**

2200 Murphy Court  
North Port, Florida 34289  
888.989.3876 • 941.979.5316

**euro-wall**<sup>®</sup>

FOLDING | SLIDING | STACKING | PIVOT

### **SHOWROOM**

1211 Stirling Road, Unit 102,  
Dania Beach, Florida 33004  
954.610.2572

Proud Member of the American Architectural Manufacturers Association.

